

# ELLIS

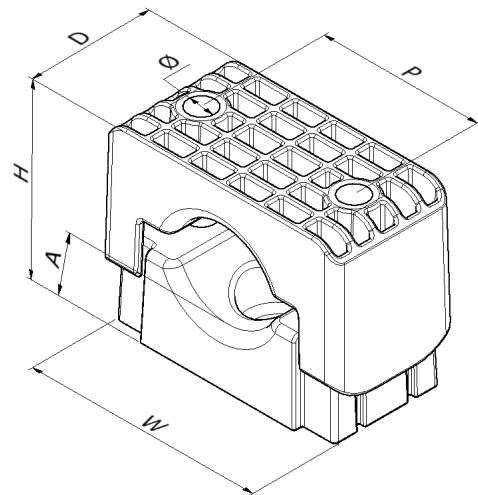
Holding Power

## DATA SHEET

## SOLUS CLAMP

DESIGN REG NUMBER: D030165EM

- MANUFACTURED IN A HIGH STRENGTH HEAT STABILISED LOW SMOKE ZERO HALOGEN GLASS REINFORCED POLYAMIDE MATERIAL
- SINGLE OR DOUBLE BOLT FIXING OPTIONS
- RANGE ACOMODATES  $\phi 19$  -  $\phi 75$ MM CABLES
- SUITABLE FOR INDOOR AND OUTDOOR USE
- SHORT CIRCUIT AND MECHANICALLY TESTED IN ACCORDANCE TO IEC 61914

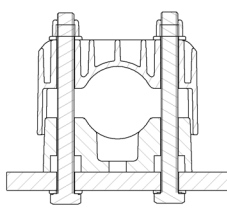


PART NO.	CABLE RANGE		LINER SIZE (mm)	CABLE RANGE WITH LINER		DIMENSIONS (mm)						WEIGHT (g)
	MIN $\phi$ (mm)	MAX $\phi$ (mm)		MIN $\phi$ (mm)	MAX $\phi$ (mm)	W	H	D	A	P	$\phi$	
SL25-38GFN	25	38	3	19	32	100	80	60	24	60	M12	290
SL36-52GFN	36	52	3	30	46	116	95	77	24	75	M12	370
SL49-75GFN	49	75	3	43	69	138	124	77	26	95	M12	493

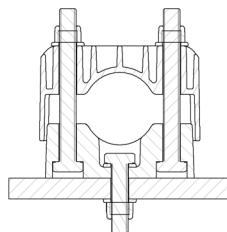
NOTE: FOR CLAMP WITH LINER ADD 'L' SUFFIX E.G. SL25-38GFNL.



POLYMERIC LINER CAN BE SUPPLIED



DOUBLE FIXING STYLE



SINGLE FIXING STYLE



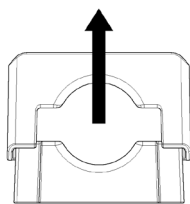
## TESTING SUMMARY

Solus Clamps have been tested in line with the International Standard 'Cable Cleats for Electrical Installations' IEC 61914:2015. Typical results are detailed below, please note that these testing values are maximums and safety factors appropriate to your application should be used:

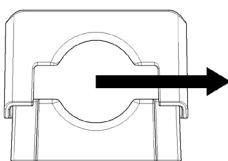
PROPERTY	CLASSIFICATION CLAUSE IEC 61914	UNITS / CLASSIFICATION	TEST DATA	
			DOUBLE FIXING	SINGLE FIXING
CLEAT TYPE	6.1.2	NON-METALLIC	-	
TEMP. FOR PERMAMENT APPLICATION	6.2	°C	-60 to +120	
IMPACT RATING	6.3.5	VERY HEAVY	PASS	
FLAME PROPAGATION TEST	10.0, 10.1	APPLICATION TIME ≥30s	PASS (ALSO UL94 V0 COMPLIANT)	
AXIAL LOAD RATING	6.4.3, 9.4	NEWTONS (N)	600N	1000N
LATERAL LOAD RATING	6.4.2, 9.3	NEWTONS (N)	VERTICAL - 7000N HORIZONTAL - 3000N	VERTICAL - 4500N HORIZONTAL - 2000N
RESISTANCE TO ELECTROMECHANICAL FORCE (SHORT CIRCUIT TESTING)	6.4, 6.4.5, 9.5	CLEATS AT 300MM INTERVALS (WITHSTANDING MORE THAN ONE SHORT CIRCUIT)	129kA (REPORT No. PDL-21-085.02)  CABLE OD = $\varnothing$ 36mm PHASE SPACING = 125mm	-

NOTE: THE WITH LINER VERSION HAS A LOWER RATING TO THE STANDARD VERSION AS FOLLOWS:

- 1) TEMPERATURE RANGE OF -60 to +85 °C.
- 2) AXIAL PERFORMANCE LOWER THAN STANDARD VERSION, CONTACT ELLIS.



LATERAL LOAD 'VERTICAL' DIRECTION



LATERAL LOAD 'HORIZONTAL DIRECTION'



PRODUCT CAN BE STACKED FLAT USING  
HEX RECESS ON BASE OF PRODUCT -  
REFER TO INSTALLATION INSTRUCTIONS

This data sheet is subject to change without notice. The information provided has been generated in laboratory conditions, as such results in use may vary.