

ELLIS

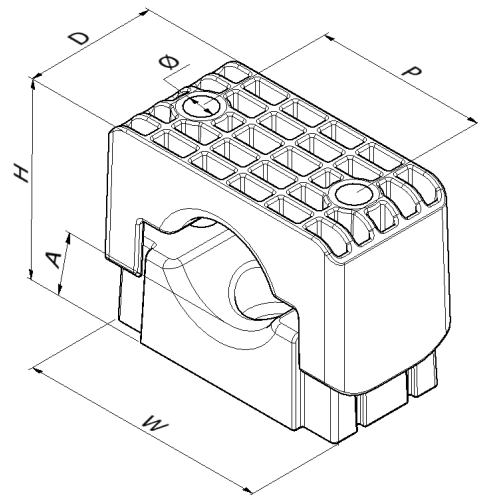
Holding Power

DATA SHEET

SOLUS CLAMP

DESIGN REG NUMBER: D030165EM

- MANUFACTURED IN A HIGH STRENGTH HEAT STABILISED LOW SMOKE ZERO HALOGEN GLASS REINFORCED POLYAMIDE MATERIAL
- SINGLE OR DOUBLE BOLT FIXING OPTIONS
- RANGE ACOMODATES $\phi 19$ - $\phi 75$ MM CABLES
- SUITABLE FOR INDOOR AND OUTDOOR USE
- SHORT CIRCUIT AND MECHANICALLY TESTED IN ACCORDANCE TO IEC 61914

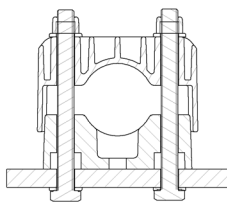


PART NO.	CABLE RANGE		LINER SIZE (mm)	CABLE RANGE WITH LINER		DIMENSIONS (mm)						WEIGHT (g)
	MIN ϕ (mm)	MAX ϕ (mm)		MIN ϕ (mm)	MAX ϕ (mm)	W	H	D	A	P	ϕ	
SL25-38GFN	25	38	3	19	32	100	80	60	24	60	M12	290
SL36-52GFN	36	52	3	30	46	116	95	77	24	75	M12	370
SL49-75GFN	49	75	3	43	69	138	124	77	26	95	M12	493

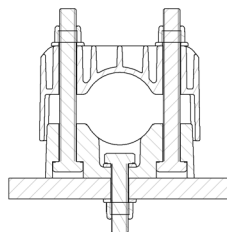
NOTE: FOR CLAMP WITH LINER ADD 'L' SUFFIX E.G. SL25-38GFNL



POLYMERIC LINER CAN BE SUPPLIED



DOUBLE FIXING STYLE



SINGLE FIXING STYLE



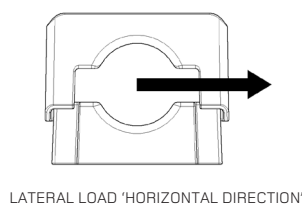
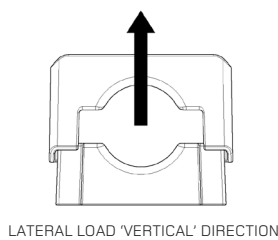
TESTING SUMMARY

Solus Clamps have been tested in line with the International Standard 'Cable Cleats for Electrical Installations' IEC 61914:2021. Typical results are detailed below, please note that these testing values are maximums and safety factors appropriate to your application should be used:

PROPERTY	CLASSIFICATION CLAUSE IEC 61914	UNITS / CLASSIFICATION	TEST DATA	
			FIJACIÓN DOBLE	FIJACIÓN SIMPLE
CLEAT TYPE	6.1.2	NON-METALLIC	-	
TEMP. FOR PERMAMENT APPLICATION	6.2	°C	-60 to +120	
IMPACT RATING	6.3.5	VERY HEAVY	PASS	
FLAME PROPAGATION TEST	10.0, 10.1	APPLICATION TIME ≥30S	PASS (ALSO UL94 V0 COMPLIANT)	
AXIAL LOAD RATING	6.4.3, 9.4	NEWTONS (N)	600N	1000N
LATERAL LOAD RATING	6.4.2, 9.3	NEWTONS (N)	VERTICAL - 7000N HORIZONTAL - 3000N	VERTICAL - 4500N HORIZONTAL - 2000N
RESISTANCE TO ELECTROMECHANICAL FORCE (SHORT CIRCUIT TESTING)	6.4, 6.4.5, 9.5	CLEATS AT 300MM INTERVALS (WITHSTANDING MORE THAN ONE SHORT CIRCUIT)	164kA (REPORT No. PDL-22-078) CABLE OD = ϕ 36mm PHASE SPACING = 125mm	-

NOTE: THE WITH LINER VERSION HAS A LOWER RATING TO THE STANDARD VERSION AS FOLLOWS:

- 1) TEMPERATURE RANGE OF -60 a +85°C.
- 2) AXIAL PERFORMANCE LOWER THAN STANDARD VERSION, CONTACT ELLIS.



PRODUCT CAN BE STACKED FLAT USING HEX RECESS
ON BASE OF PRODUCT - REFER TO INTSALLATION
INSTRUCTIONS

This data sheet is subject to change without notice. The information provided has been generated in laboratory conditions, as such results in use may vary.