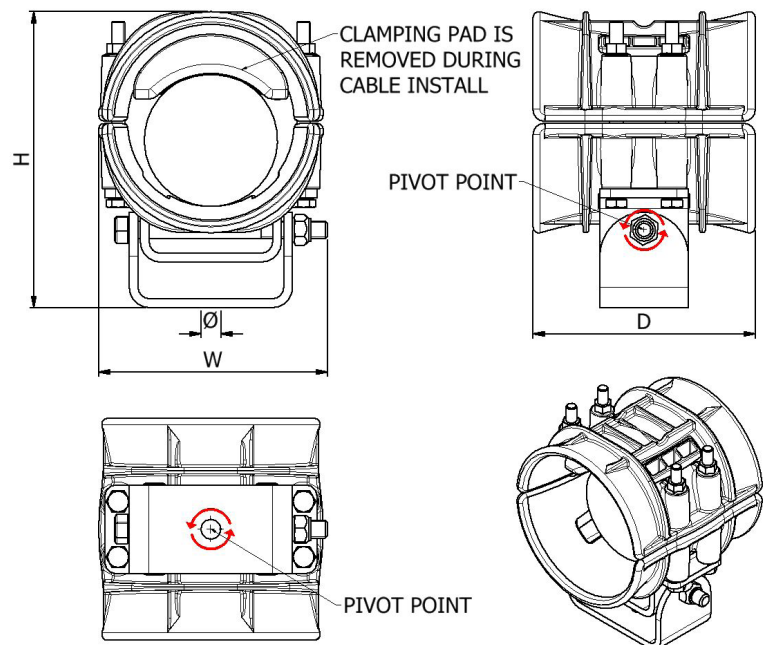


UK (2514384), EUROPEAN (2806198) and US (9,404,605) Patent

- FULLY GIMBALED CLAMP IS DESIGNED TO ROTATE UNDER CABLE PULLING FORCES
- CLAMPING PAD IS REMOVED FOR CABLE PULLING AND RE-INSTALLED TO CLAMP THE CABLE ONCE IT IS IN POSITION
- CONSTRUCTED FROM HIGH STRENGTH V0 GLASS FILLED NYLON AND GALVANISED STEEL COMPONENTS
- SHORT CIRCUIT AND MECHANICALLY TESTED TO IEC 61914
- INSTALLATION ANIMATION AVAILABLE ON THE VIDEOS SECTION OF OUR WEBSITE



PART NO.	CABLE RANGE		DIMENSIONS (mm)				WEIGHT (kg)
	MIN Ø	MAX Ø	W	H	D	Ø FIXING HOLES	
CGC100-112-G	100	112	185	260	200	1 x M16	5.2
CGC110-122-G	110	122	185	255	200	1 x M16	5.2
CGC120-135-G	120	135	203	281	200	1 x M16	5.5
CGC130-145-G	130	145	203	283	200	1 x M16	5.5
CGC140-160-G	140	160	262	324	250	1 x M16	6.25
CGC150-170-G	150	170	262	324	250	1 x M16	6.25

## TESTING SUMMARY

Cable Guide Clamp has been tested in line with the International Standard 'Cable Cleats for Electrical Installations' IEC 61914:2015. As IEC 61914 is part of the low voltage directive it is not possible to follow the standard exactly and thus deviations have been made in areas. Typical results are detailed below, please note that these testing values are maximums and safety factors appropriate to your application should be used:

PROPERTY	CLASSIFICATION CLAUSE IEC 61914	UNITS / CLASSIFICATION	TEST DATA
CLEAT TYPE	6.1.3	COMPOSITE	-
TEMP. FOR PERMANENT APPLICATION	6.2	°C	-40 - 60
CORROSION RESISTANCE	6.5.2.2	HIGH	192H SALT SPRAY TEST - ISO 9227
IMPACT RATING	6.3.5	VERY HEAVY	PASS
FLAME PROPAGATION TEST	10.0, 10.1	APPLICATION TIME $\geq 30s$	PASS
AXIAL LOAD RATING	6.4.3, 9.4	NEWTONS (N)	REFER TO ELLIS
LATERAL LOAD RATING	6.4.2, 9.3	NEWTONS (N)	REFER TO ELLIS
RESISTANCE TO ELECTROMECHANICAL FORCE (SHORT CIRCUIT TESTING)	6.4, 6.4.5, 9.5	CLEATS AT 1M INTERVALS (WITHSTANDING MORE THAN ONE SHORT CIRCUIT)	114kA (REPORT No. PDL- 15.025.1)  CABLE OD= $\varnothing 117mm$  PHASE SPACING = 200mm  (BASED ON IEC61914:2009)

This data sheet is subject to change without notice. The information provided has been generated in laboratory conditions, as such results in use may vary.