

ELLIS

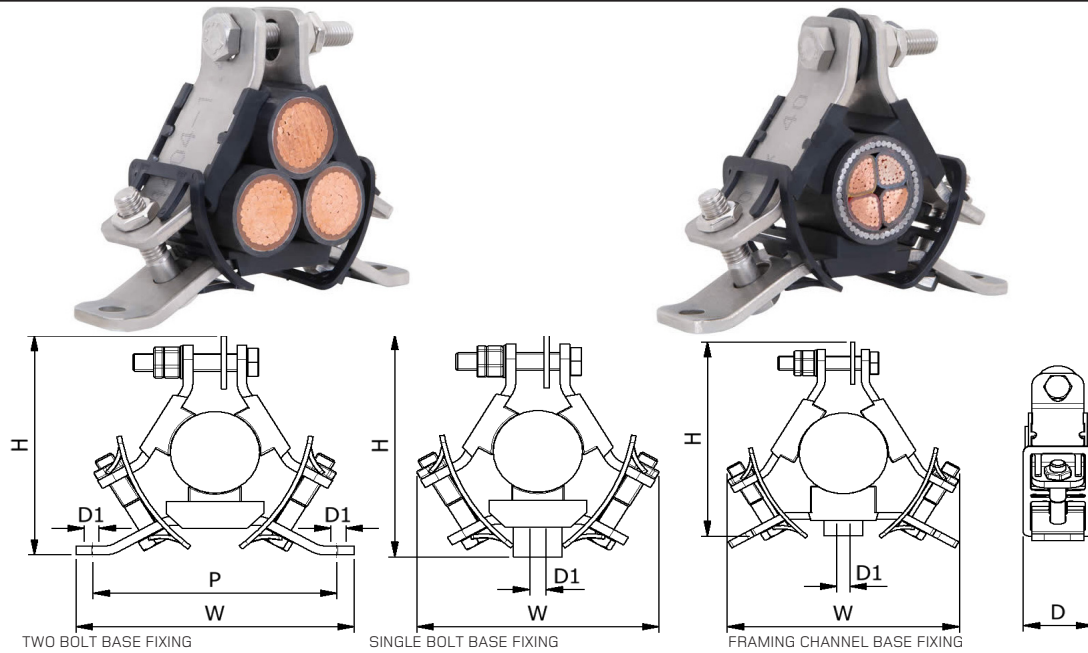
Holding Power

DATA SHEET

ATLAS

Patent No. UK Patent GB 228 4444

- GALVANISED STEEL FRAME WITH LSF POLYMERIC PADS TO PROTECT THE CABLE SHEATH
- CAN BE FIXED USING ONE BOLT, TWO BOLTS OR A FRAMING CHANNEL FIXING
- AVAILABLE FOR TREFOIL OR SINGLE CABLE APPLICATIONS
- SHORT CIRCUIT AND MECHANICALLY TESTED TO IEC 61914



SELECTION TABLE FOR TREFOIL FORMATIONS

PART NO.	CABLE RANGE	DIMENSIONS (mm)												WEIGHT (g)	
		TWO BOLT BASE FIXING					SINGLE BOLT BASE FIXING				FRAMING CHANNEL BASE FIXING				
		W	H	D	P	FIXING HOLES (D1)	W	H	D	FIXING HOLES (D1)	W	H	D		FIXING HOLES (D1)
AR2-A31-XX	24-26	170	121	54	150	2 x M10	144	130	54	1 x M10	144	125	54	1 x M10	930
AR2-A32-XX	26-30	170	122	54	150	2 x M10	144	130	54	1 x M10	144	125	54	1 x M10	930
AR2-A33-XX	30-35	170	133	54	150	2 x M10	157	141	54	1 x M10	157	136	54	1 x M10	970
AR2-A34-XX	35-40	170	134	54	150	2 x M10	158	142	54	1 x M10	158	137	54	1 x M10	930
AR3-A35-XX	40-45	198	158	54	175	2 x M10	185	165	54	1 x M10	185	160	54	1 x M10	1200
AR3-A36-XX	45-50	198	160	54	175	2 x M10	187	167	54	1 x M10	187	162	54	1 x M10	1200
AR4-A37-XX	50-55	224	174	54	200	2 x M10	204	182	54	1 x M12	204	177	54	1 x M12	1300
AR4-A38-XX	55-60	224	179	54	200	2 x M10	210	187	54	1 x M12	210	182	54	1 x M12	1300
AR4-A39-XX	60-66	224	185	54	200	2 x M10	217	193	54	1 x M12	217	188	54	1 x M12	1300
AR5-A61-XX	66-71	250	225	54	225	2 x M10	254	225	54	1 x M12	254	220	54	1 x M12	1800
AR5-A62-XX	71-76	250	226	54	225	2 x M10	255	226	54	1 x M12	255	221	54	1 x M12	1800
AR5-A63-XX	76-82	250	230	54	225	2 x M10	260	230	54	1 x M12	260	225	54	1 x M12	1800
AR8-A64-XX	82-92	285	250	54	225	2 x M10	N/A				N/A				2100
AR8-A65-XX	92-102	285	250	54	225	2 x M10	N/A				N/A				1900

SELECTION TABLE FOR SINGLE FORMATIONS

PART NO.	CABLE RANGE	DIMENSIONS (mm)														WEIGHT (g)
		TWO BOLT BASE FIXING					SINGLE BOLT BASE FIXING				FRAMING CHANNEL BASE FIXING					
		W	H	D	P	FIXING HOLES (D1)	W	H	D	FIXING HOLES (D1)	W	H	D	FIXING HOLES (D1)		
AR2-A11-XX	38-41	170	128	54	150	2 x M10	144	136	54	1 x M10	144	131	54	1 x M10	950	
AR2-A12-XX	41-47	170	129	54	150	2 x M10	144	136	54	1 x M10	144	131	54	1 x M10	930	
AR2-A13-XX	47-55	170	140	54	150	2 x M10	157	147	54	1 x M10	157	142	54	1 x M10	940	
AR2-A14-XX	55-63	170	141	54	150	2 x M10	158	148	54	1 x M10	158	143	54	1 x M10	930	
AR3-A15-XX	63-70	198	164	54	175	2 x M10	185	172	54	1 x M10	185	167	54	1 x M10	1200	
AR3-A16-XX	70-79	198	166	54	175	2 x M10	187	173	54	1 x M10	187	168	54	1 x M10	1200	
AR4-A17-XX	79-87	224	180	54	200	2 x M10	204	188	54	1 x M12	204	183	54	1 x M12	1300	
AR4-A18-XX	87-95	224	186	54	200	2 x M10	210	193	54	1 x M12	210	188	54	1 x M12	1300	
AR4-A19-XX	95-104	224	192	54	200	2 x M10	217	199	54	1 x M12	217	197	54	1 x M12	1300	
AR5-A51-XX	104-112	250	231	54	225	2 x M10	254	231	54	1 x M12	254	226	54	1 x M12	1700	
AR5-A52-XX	112-120	250	232	54	225	2 x M10	255	232	54	1 x M12	255	227	54	1 x M12	1700	
AR5-A53-XX	120-130	250	237	54	225	2 x M10	260	237	54	1 x M12	260	232	54	1 x M12	1700	

For full part number please replace 'XX' with the following.:

TB = TWO BOLT BASE FIXING SB = SINGLE BOLT BASE FIXING FC = FRAMING CHANNEL BASE FIXING

TESTING SUMMARY

Atlas Cleats have been tested in line with the International Standard 'Cable Cleats for Electrical Installations' IEC 61914:2021. Typical results are detailed below, please note that these testing values are maximums and safety factors appropriate to your application should be used:

PROPERTY	CLASSIFICATION CLAUSE IEC 61914	UNITS / CLASSIFICATION	TEST DATA
CLEAT TYPE	6.1.3	COMPOSITE	-
TEMP. FOR PERMANENT APPLICATION	6.2	°C	-40 - 60
IMPACT RATING	6.3.5	VERY HEAVY	PASS
FLAME PROPAGATION TEST	10.0, 10.1	APPLICATION TIME ≥30s	PASS
AXIAL LOAD RATING	6.4.3, 9.4	NEWTONS (N)	REFER TO ELLIS
LATERAL LOAD RATING	6.4.2, 9.3	NEWTONS (N)	REFER TO ELLIS
RESISTANCE TO ELECTROMECHANICAL FORCE (SHORT CIRCUIT TESTING)	6.4, 6.4.4, 9.5	CLEATS AT 300MM INTERVALS (WITHSTANDING ONE SHORT CIRCUIT)	120kA (REPORT No. PDL-18.122.7) CABLE OD= Ø36mm

This data sheet is subject to change without notice. The information provided has been generated in laboratory conditions, as such results in use may vary.