

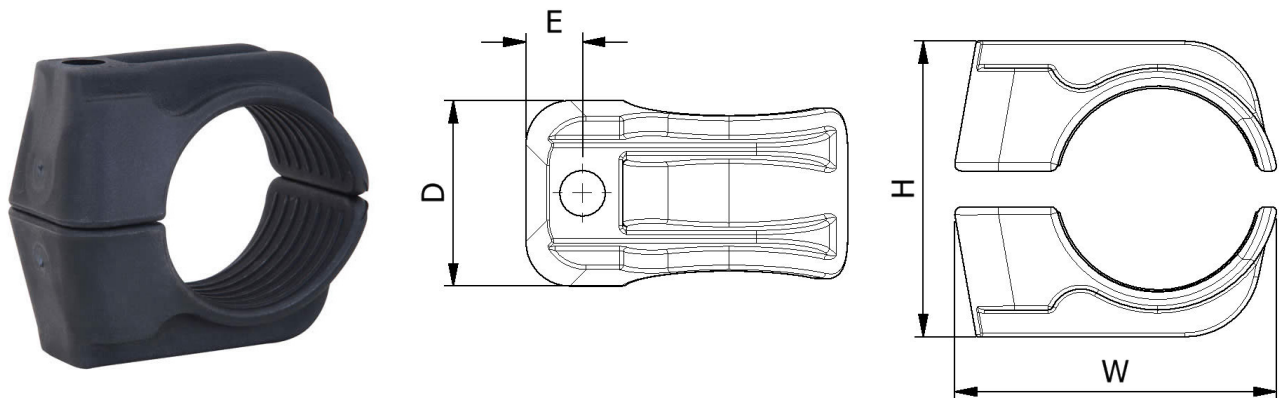
# ELLIS

Holding Power

## DATA SHEET

## 1F CLAMPS

- 1 HOLE CLAMP MANUFACTURED IN LSF NYLON OR STANDARD POLYPROPYLENE
- ACCOMODATES  $\phi$ 10MM -  $\phi$ 57MM CABLES ACROSS 10 SIZES
- SHORT CIRCUIT AND MECHANICALLY TESTED TO IEC 61914
- FIXINGS ARE NOT SUPPLIED AS STANDARD BUT CAN BE MADE AVAILABLE ON REQUEST

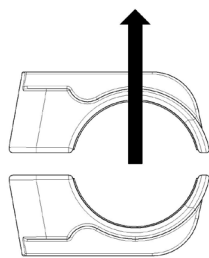


PART NO.	MATERIAL SUFFIX	CABLE RANGE (mm)		DIMENSIONS (mm)				FIXING HOLES	WEIGHT (g)		
		MIN	MAX	W	H	D	E		B	LSF	LUL
1F-10	B/LSF/LUL	10	13	37.8	30.0	41.4	10.2	1 x M10	14.6	19.6	23.8
1F-11	B/LSF/LUL	13	16	41.2	33.0	41.4	10.4	1 x M10	17.0	23.0	27.7
1F-12	B/LSF/LUL	16	19	44.3	36.0	41.4	10.7	1 x M10	19.6	26.4	32.0
1F-13	B/LSF/LUL	19	23	48.2	40.0	41.4	10.9	1 x M10	22.4	30.2	36.5
1F-14	B/LSF/LUL	23	27	52.2	44.0	41.4	11.3	1 x M10	25.8	34.6	42.0
1F-15	B/LSF/LUL	27	32	57.1	49.0	41.4	11.6	1 x M10	29.2	39.0	47.6
1F-16	B/LSF/LUL	32	38	63.1	55.0	41.4	12.1	1 x M10	34.2	46.2	55.7
1F-17	B/LSF/LUL	38	46	71.3	66.0	41.4	12.9	1 x M10	47.8	64.0	77.9
1F-18	B/LSF/LUL	46	51	77.3	73.0	41.4	13.5	1 x M10	54.0	73.2	88.0
1F-19	B/LSF/LUL	51	57	83.2	78.0	41.4	13.9	1 x M10	59.0	80.4	96.2

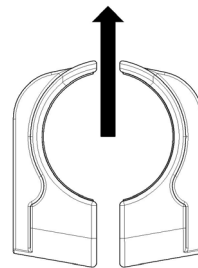
### TESTING SUMMARY

1F Clamps have been tested in line with the International Standard 'Cable Cleats for Electrical Installations' IEC 61914:2015. Typical results are detailed below, please note that these testing values are maximums and safety factors appropriate to your application should be used:

PROPERTY	CLASSIFICATION CLAUSE IEC 61914	UNITS / CLASSIFICATION	TEST DATA	
			LSF	B
CLEAT TYPE	6.1.2	POLYMERIC	-	-
TEMP. FOR PERMAMENT APPLICATION	6.2	°C	-40 - 60	-40 - 40
UV RESISTANCE	6.5.1.2	XENON ARC METHOD A	PASS	PASS
IMPACT RATING	6.3.5	VERY HEAVY	REFER TO ELLIS	REFER TO ELLIS
FLAME PROPAGATION TEST	10.0, 10.1	APPLICATION TIME ≥30s	PASS	NOT COMPLIANT
AXIAL LOAD RATING	6.4.3, 9.4	NEWTONS (N)	REFER TO ELLIS	REFER TO ELLIS
LATERAL LOAD RATING	6.4.2, 9.3	NEWTONS (N)	REFER TO ELLIS	REFER TO ELLIS
RESISTANCE TO ELECTROMECHANICAL FORCE (SHORT CIRCUIT TESTING)	6.4, 6.4.5, 9.5	CLEATS AT 300MM INTERVALS (WITHSTANDING MORE THAN ONE SHORT CIRCUIT)	10.4kA (REPORT No. PDL-17.137.2)  (IEC 61914:2015) PHASE SPACING = 100mm CABLE OD= Ø36mm	NOT SHORT CIRCUIT TESTED



LATERAL LOAD 'VERTICAL' DIRECTION



LATERAL LOAD 'HORIZONTAL DIRECTION'

#### APPROVALS:

THE LUL VERSION OF THE 1F ONE HOLE CABLE CLAMPS  
ARE COMPLIANT WITH THE REQUIREMENT OF LONDON  
UNDERGROUND STANDARD 1-085. PRODUCT REGISTER NO. 363.

This data sheet is subject to change without notice. The information provided has been generated in laboratory conditions, as such results in use may vary.