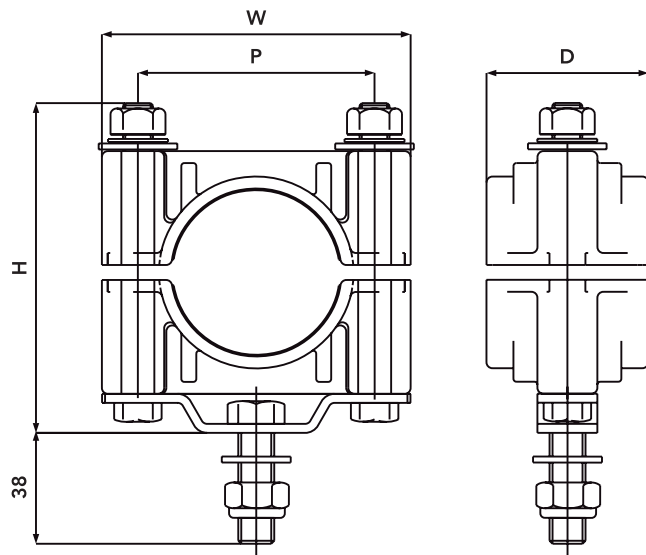


- HEAVY DUTY FIXING BRACKET ALLOWS POLYMERIC 2 HOLE CLAMPS TO BE FIXED ON A SINGLE BOLT
- CLAMP CAN BE SUPPLIED IN LSF NYLON OR STANDARD POLYPROPYLENE
- ADAPTOR BRACKET IS MANUFACTURED IN ZINC PLATED MILD STEEL
- HEADS OF FIXING BOLTS ARE WELDED CAPTIVE TO EASE INSTALL
- FOR CLAMP PERFORMANCE TO IEC 61914 REFER TO 2 HOLE CLAMP DATA SHEET



PART NO.	CLAMP MATERIAL SUFFIX	CABLE RANGE (mm)	DIMENSIONS (mm)			WEIGHT (g)	
			W	H	D	B	LSF
2F+AS-08	B or LSF	46-51	103	110	54	353.9	382.9
2F+AS-09	B or LSF	51-57	103	110	54	368	392
2F+AS-10	B or LSF	57-64	103	110	54	362.1	395.5
2F+AS-11	B or LSF	64-70	130	143	54	433	474.3
2F+AS-1200	B or LSF	70-76	128	143	75	477.1	507
2F+AS-1201	B or LSF	76-83	135	148	75	491	523.5
2F+AS-1202	B or LSF	83-90	143	156	75	505.3	545.6

PART NO. EXAMPLE:

For a single bolt fixing 2F+11 clamp in LSF nylon use the part number:2F+AS-11-LSF.

This data sheet is subject to change without notice.