

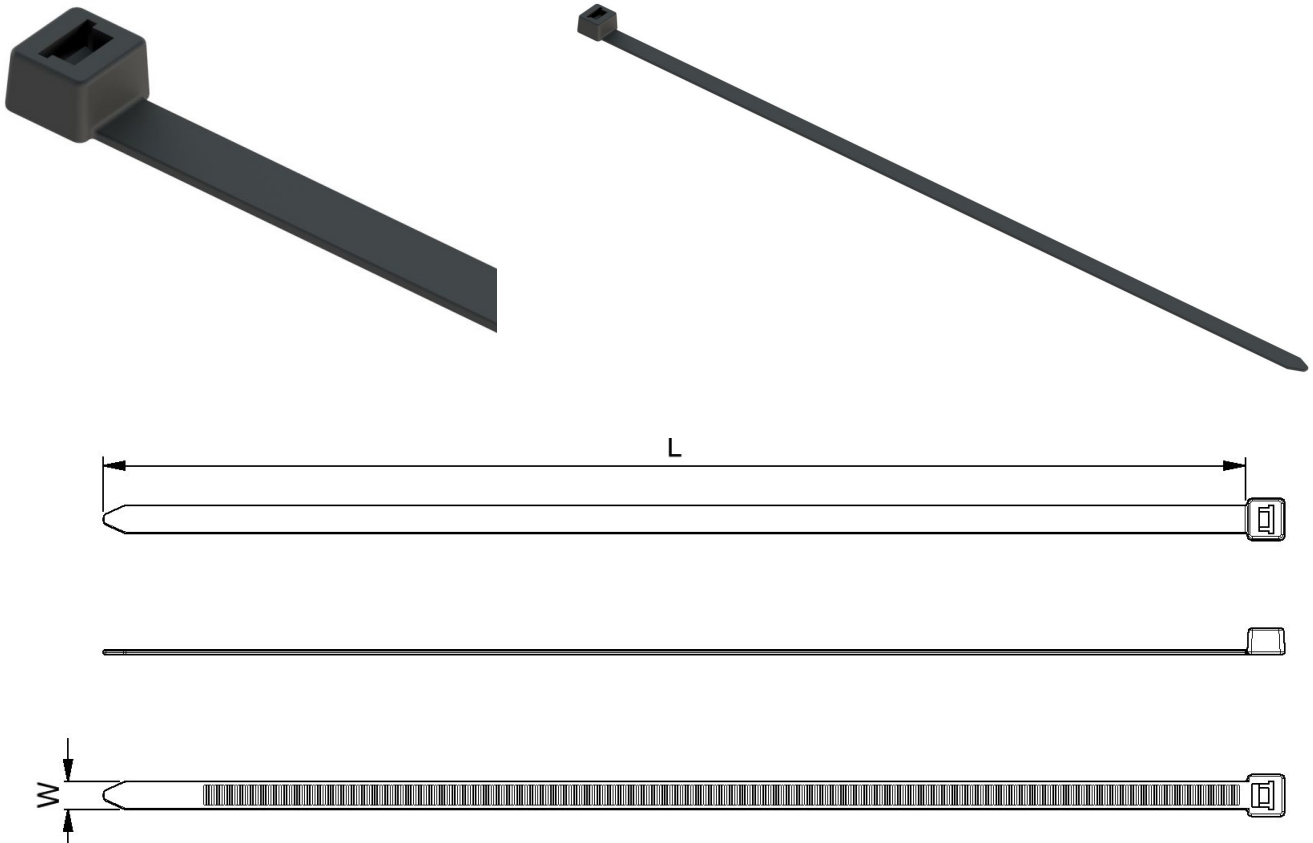
ELLIS

Holding Power

DATA SHEET

CABLE TIES

- MANUFACTURED IN PA 66 MATERIAL
- SUPPLIED IN BLACK



PART NO.	DIMENSIONS (mm)		PACK QTY.
	W	L	
CT-M7-B	7.5	343	100
CT-P9-B	13	520	50

This data sheet is subject to change without notice. The information provided has been generated in laboratory conditions, as such results in use may vary.

ELLIS PATENTS LTD.

www.ellispatents.co.uk

ISSUE 01 15/04/19

1 / 1