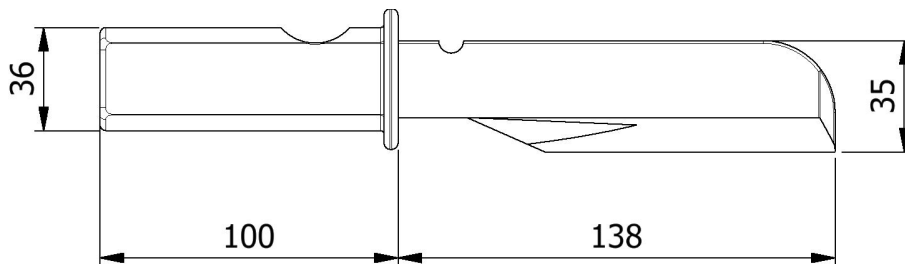
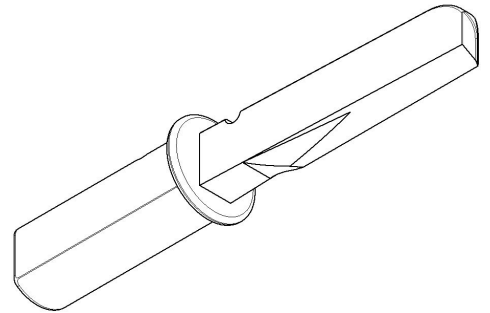


ELLIS

Holding Power

DATA SHEET**CABLE CORE STRIPPER**

- POLYMERIC CABLE STRIPPING KNIFE FOR LIVE ARMoured POWER CABLES
- SHARP AND TOUGH CUTTING BLADE
- SOFT POLYMER GRIPPING HANDLE
- SUITABLE FOR USE WITH A HAMMER TO INITIATE CUTS



PART NO.	NOMINAL LIFT (mm)	PACK QTY.	WEIGHT (g)
120-CS	90	10	183

COMPLIES WITH THE DIELECTRIC TESTING OF IEC 60900-1

This data sheet is subject to change without notice. The information provided has been generated in laboratory conditions, as such results in use may vary.