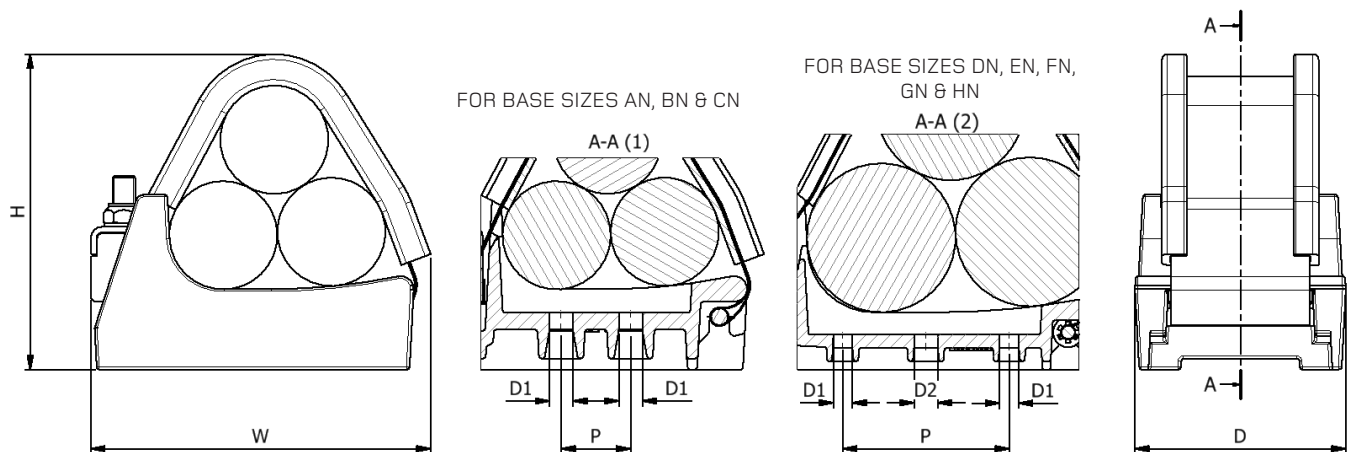
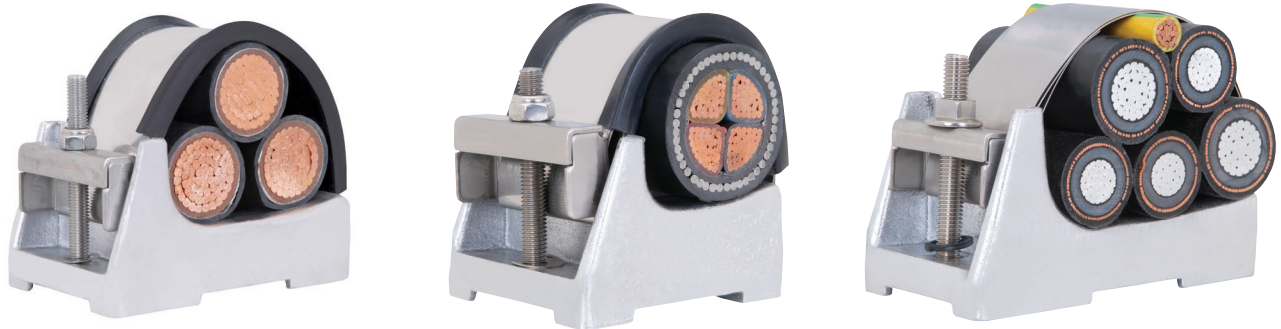


- 316L STAINLESS STEEL STRAP AND FIXINGS WITH A CAST ALUMINIUM BASE
- CAPTIVE CLOSURE FIXINGS FOR FAST INSTALL
- MULTI-CABLE BUNDLE OPTIONS AVAILABLE ON REQUEST
- SHORT CIRCUIT AND MECHANICALLY TESTED TO IEC 61914



TESTING SUMMARY

Vari-Cleat has been tested in line with the International Standard 'Cable Cleats for Electrical Installations' IEC 61914:2015. Typical results are detailed below, please note that these testing values are maximums and safety factors appropriate to your application should be used:

PROPERTY	CLASSIFICATION CLAUSE IEC 61914	UNITS / CLASSIFICATION	TEST DATA LINERED	TEST DATA NO LINER
CLEAT TYPE	6.1.3	COMPOSITE	-	-
TEMP. FOR PERMANENT APPLICATION	6.2	°C	-40 - 60	-40 - 90
IMPACT RATING	6.3.4	VERY HEAVY	PASS	PASS
FLAME PROPAGATION TEST	10.0, 10.1	APPLICATION TIME $\geq 30s$	PASS	N/A
AXIAL LOAD RATING	6.4.3, 9.4	NEWTONS (N)	REFER TO ELLIS	
LATERAL LOAD RATING	6.4.2, 9.3	NEWTONS (N)	REFER TO ELLIS	
RESISTANCE TO ELECTROMECHANICAL FORCE (SHORT CIRCUIT TESTING)	6.4, 6.4.5, 9.5	CLEATS AT 300MM INTERVALS (WITHSTANDING MORE THAN ONE SHORT CIRCUIT)	110kA (REPORT No. PDL-18.071.3) (PART NO. - VC-BN4-BN0) CABLE OD= $\varnothing 36mm$	

ELLIS

Holding Power

DATA SHEET

VARI-CLEAT

PART NO.	CABLE RANGE WITHOUT LINER		CABLE RANGE SINGLE WITH LINER		DIMENSIONS (mm)				FIXING HOLES (D1 & D2)	WEIGHT (g)
	TREFOIL	SINGLE	TREFOIL	SINGLE	W	H	D	P		
VC-AN1-XXX	21-24	36-43	19-22	31-38	82	80	74	25	2 x M8	373
VC-AN2-XXX	22-26	41-48	21-24	36-43	82	84	74	25	2 x M8	373
VC-AN3-XXX	24-28	44-51	23-26	39-46	83	88	74	25	2 x M8	373
VC-AN4-XXX	26-30	49-54	25-29	44-51	86	92	74	25	2 x M8	373
VC-BN1-XXX	29-33	51-59	27-31	46-54	97	94	74	25	2 x M8	430
VC-BN2-XXX	30-35	55-63	29-33	50-58	97	97	74	25	2 x M8	430
VC-BN3-XXX	32-37	60-68	30-36	55-63	100	101	74	25	2 x M8	430
VC-BN4-XXX	34-38	64-70	33-38	59-68	104	105	74	25	2 x M8	430
VC-CN1-XXX	37-42	68-76	35-40	63-71	117	105	76	25	2 x M8	490
VC-CN2-XXX	39-44	72-81	37-42	67-76	117	109	76	25	2 x M8	490
VC-CN3-XXX	42-47	76-85	39-45	71-80	118	115	76	25	2 x M8	490
VC-CN4-XXX	44-48	81-87	42-47	76-86	124	121	76	50	2 x M8	490
VC-DN1-XXX	47-53	86-96	47-51	81-91	138	126	78	50	2 x M8 + 1 x M10	610
VC-DN2-XXX	50-56	91-100	49-54	86-95	141	132	78	50	2 x M8 + 1 x M10	610
VC-DN3-XXX	54-59	96-105	52-57	91-100	147	138	78	50	2 x M8 + 1 x M10	610
VC-DN4-XXX	56-60	101-106	55-60	96-106	153	144	78	75	2 x M8 + 1 x M10	610
VC-EN1-XXX	59-63.5	105-112	58-62	100-107	163	147	80	75	2 x M8 + 1 x M10	730
VC-EN2-XXX	62-67	111-118	61-66	106-113	167	154	80	75	2 x M8 + 1 x M10	730
VC-EN3-XXX	65-70	118-125	64-69	113-120	174	160	80	75	2 x M8 + 1 x M10	730
VC-EN4-XXX	68-74	125-132	67-73	120-127	181	167	80	75	2 x M8 + 1 x M10	730
VC-FN1-XXX	71-76	125-140	69-74	120-135	187	170	82	90	3 x M12	880
VC-FN2-XXX	74-80	132-145	72-78	128-140	194	177	82	90	3 x M12	880
VC-FN3-XXX	78-84	139-152	76-82	134-147	201	185	82	90	3 x M12	880
VC-FN4-XXX	82-88	148-160	80-86	143-155	210	193	82	90	3 x M12	880
VC-GN1-XXX	84-91	145-160	82-89	140-155	217	197	82	114	3 x M12	970
VC-GN2-XXX	88-95	155-170	86-93	150-165	225	205	82	114	3 x M12	970
VC-GN3-XXX	92-99	165-180	90-97	160-175	233	213	82	114	3 x M12	970
VC-GN4-XXX	96-103	175-190	94-101	170-185	240	221	82	114	3 x M12	970
VC-HN1-XXX	98-106	170-190	96-104	165-185	247	229	84	136	3 x M12	1170
VC-HN2-XXX	102-110	180-200	100-108	175-195	255	237	84	136	3 x M12	1170
VC-HN3-XXX	106-114	190-205	104-112	185-200	263	245	84	136	3 x M12	1170
VC-HN4-XXX	110-118	200-215	108-116	195-210	271	252	84	136	3 x M12	1170

SUFFIX 1

A - No Liner
B - Lined

SUFFIX 2 (CAST BASE FINISH)

N - Natural
P - Polyester Black
K - Kevlar

SUFFIX 3

0 - Standard Holes

PART NO. EXAMPLE:

VC-CN2 WITH A LINER AND NATURAL BASE FINISH = VC-CN2-**BN0**

This data sheet is subject to change without notice. The information provided has been generated in laboratory conditions, as such results in use may vary.

ELLIS PATENTS LTD.

www.ellispatents.co.uk

ISSUE 01 13/02/19

2 / 2