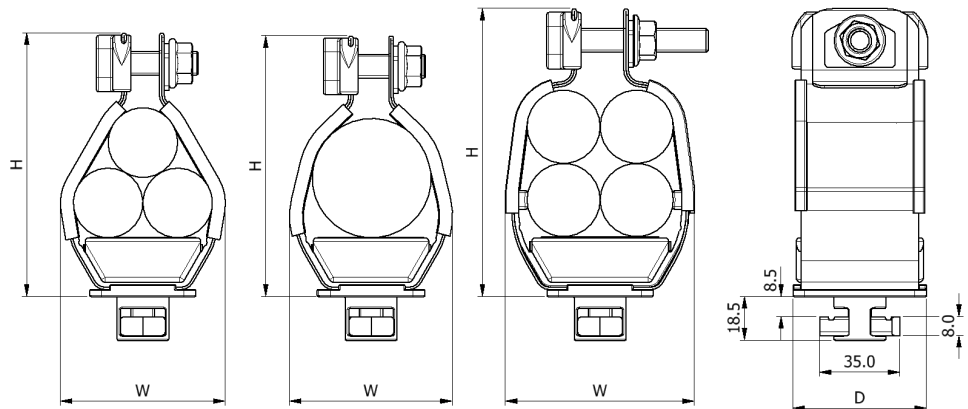


- BASE FIXING KIT DESIGNED FOR FAST INSTALL ON 41X41 AND 41X21 UNISTRUT CHANNEL/LADDER
- CLEAT COMES WITH ALL FIXINGS IN PLACE READY FOR INSTALL, NO EXTRA FIXINGS ARE REQUIRED ON SITE
- FIXING KIT CAN BE SUPPLIED IN A4 STAINLESS STEEL, GALVANISED STEEL OR ZINC PLATED STEEL
- SHORT CIRCUIT AND MECHANICALLY TESTED TO IEC 61914 - REFER TO VRT+ AND VRQ+ DATA SHEETS



VRT+ TWIST FOOT OPTIONS

PART NO.	CABLE RANGE TREFOIL		CABLE RANGE SINGLE		DIMENSIONS (mm)			WEIGHT (g)
	MIN ϕ (mm)	MAX ϕ (mm)	MIN ϕ (mm)	MAX ϕ (mm)	W	H	D	
VRT+00TFM10-X	19	24	30	42	60	96	54	301
VRT+01TFM10-X	23	28	38	50	63	102	54	308
VRT+02TFM10-X	27	32	43	58	72	109	54	319
VRT+03TFM10-X	30	35	49	64	79	115	54	329
VRT+04TFM10-X	33	38	55	70	85	121	54	334
VRT+05TFM10-X	36	42	58	75	96	128	54	369
VRT+06TFM10-X	40	46	63	84	105	137	54	381
VRT+07TFM10-X	44	50	73	90	112	143	54	441
VRT+08TFM10-X	48	55	83	100	121	152	54	455
VRT+09TFM10-X	51	58	86	104	126	158	54	461

VRQ+ TWIST FOOT OPTIONS

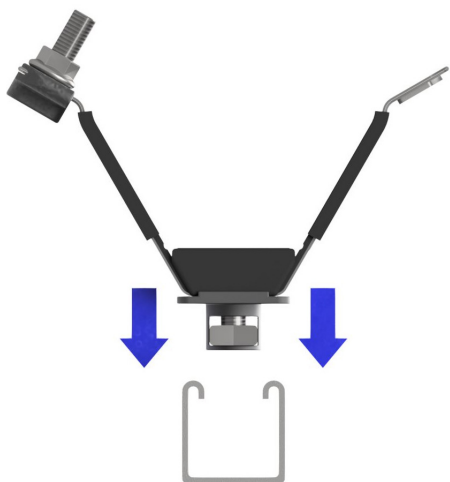
PART NO.	CABLE RANGE TREFOIL		DIMENSIONS (mm)			WEIGHT (g)
	MIN ϕ (mm)	MAX ϕ (mm)	W	H	D	
VRQ+01TFM10-X	23	25	68	110	54	334
VRQ+02TFM10-X	26	27	70	113	54	336
VRQ+03TFM10-X	28	31	78	128	54	368
VRQ+03ATFM10-X	31	35	90	138	54	400
VRQ+04TFM10-X	35	42	103	148	54	428
VRQ+05TFM10-X	43	47	120	165	54	502
VRQ+06TFM10-X	48	50	121	170	54	517

'X' DENOTES FIXING MATERIAL, OPTIONS ARE AS FOLLOWS:

4 = A4 STAINLESS STEEL
G = GALVANISED STEEL
Z = ZINC PLATED STEEL

E.G A VRT+04 WITH STAINLESS STEEL TWIST FOOT FIXINGS BECOMES: VRT+04TFM10-4

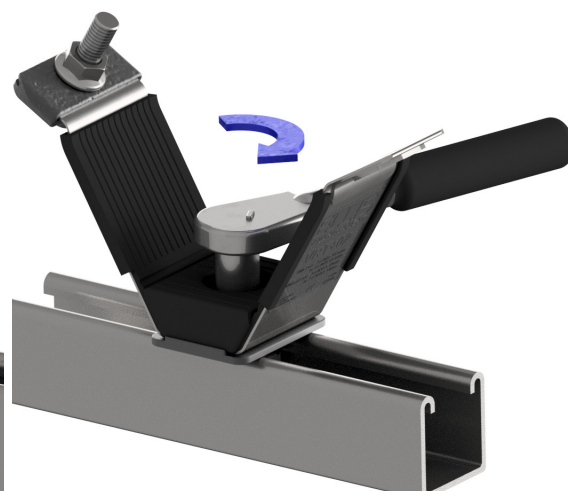
INSTALLATION OVERVIEW



1) Lower the cleat through the gap in the channel.



2) Once lowered twist the cleat 90°.



3) Tighten the M10 bolt in the base of the cleat.



4) As the bolt is tightened the channel nut will move up the twist foot base and grip onto the channel.



5) The cleat is now securely fastened to the structure and is ready to accept the cables.

This data sheet is subject to change without notice. The information provided has been generated in laboratory conditions, as such results in use may vary.