

ELLIS

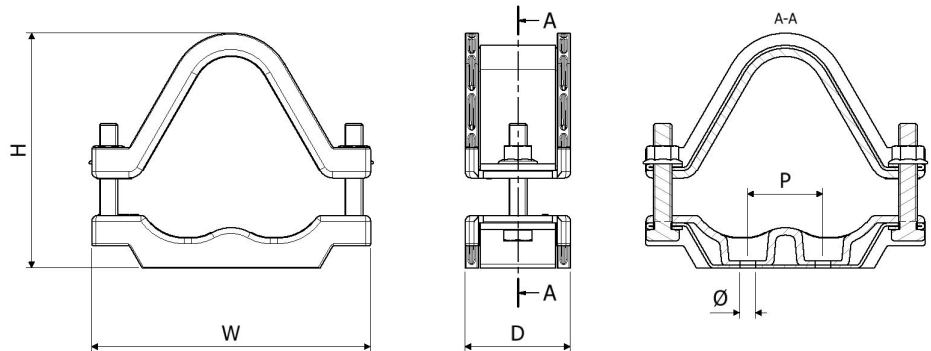
Holding Power

DATA SHEET

COLOSSUS

- 316L STAINLESS STEEL FRAME AND FIXINGS
- LSF POLYMERIC BASE AND TOP MOULDING PROTECTS THE CABLE SHEATH
- OPTIONAL SADDLED BASE AVAILABLE FOR LARGE CLEAT SPACING APPLICATIONS
- COLOSSUS RANGE CAN ACCOMMODATE TREFOIL CABLES FROM $\varnothing 24\text{MM}$ TO $\varnothing 170\text{MM}$ ACROSS 14 SIZES
- SHORT CIRCUIT AND MECHANICALLY TESTED TO IEC 61914

Community Design Reg. No. 001927583

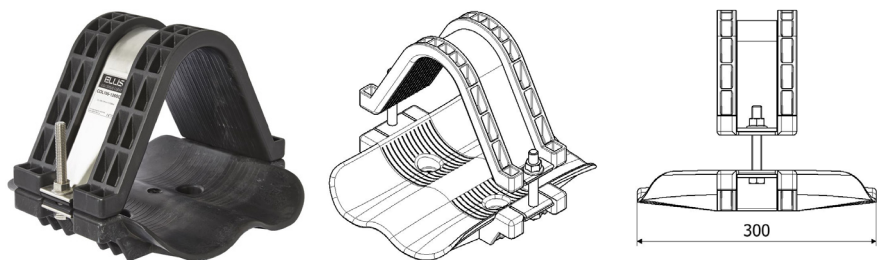


PART NO.	CABLE RANGE		DIMENSIONS (mm)					WEIGHT (g)
	MIN \varnothing	MAX \varnothing	W	H	D	P	\varnothing FIXING HOLES	
COL24-29	24	29	128	87	60	25	2 x M10 + M12	604
COL27-32	27	32	133	92	60	25	2 x M10 + M12	623
COL30-36	30	36	137	101	60	25	2 x M10 + M12	639
COL34-41	34	41	146	110	60	25	2 x M10 + M12	690
COL39-47	39	47	157	122	60	25	2 x M10 + M12	734
COL45-54	45	54	171	141	70	50	2 x M10	913
COL52-62	52	62	185	156	70	50	2 x M10	974
COL60-72	60	72	204	176	70	50	2 x M10	1063
COL69-83	69	83	225	202	100	75	2 x M12	1590
COL79-95	79	95	247	225	100	75	2 x M12	1700
COL91-109	91	109	273	253	100	120	2 x M12	1900
COL105-126	105	126	306	286	150	120	2 x M12	3030
COL122-146	122	146	345	324	150	150	2 x M12	3270
COL142-170	142	170	390	371	150	150	2 x M12	3680

A COLOSSUS WITH A SADDLED BASE IS AVAILABE ON REQUEST FOR COL69-83-COL142-170.

TO ORDER A SADDLED BASE ADD 'SC' TO THE END OF THE PART NUMBER.

E.G. COL79-96SC



ELLIS PATENTS LTD.

www.ellispatents.co.uk

ISSUE 01 22/02/19

1 / 2

TESTING SUMMARY

Colossus Cleats have been tested in line with the International Standard 'Cable Cleats for Electrical Installations' IEC 61914:2015. Typical results are detailed below, please note that these testing values are maximums and safety factors appropriate to your application should be used:

PROPERTY	CLASSIFICATION CLAUSE IEC 61914	UNITS / CLASSIFICATION	TEST DATA
CLEAT TYPE	6.1.3	COMPOSITE	-
TEMP. FOR PERMAMENT APPLICATION	6.2	°C	-40 - 60
CORROSION RESISTANCE	6.5.2.2	HIGH	316L STAINLESS STEEL HAS ≥16% CHROMIUM
IMPACT RATING	6.3.5	VERY HEAVY	PASS
FLAME PROPAGATION TEST	10.0, 10.1	APPLICATION TIME ≥30s	PASS
AXIAL LOAD RATING	6.4.3, 9.4	NEWTONS (N)	REFER TO ELLIS
LATERAL LOAD RATING	6.4.2, 9.3	NEWTONS (N)	REFER TO ELLIS
RESISTANCE TO ELECTROMECHANICAL FORCE (SHORT CIRCUIT TESTING)	6.4, 6.4.4, 9.5	CLEATS AT 300MM INTERVALS (WITHSTANDING ONE SHORT CIRCUIT)	170kA (REPORT No. PDL- 18.122) CABLE OD= Ø36mm
RESISTANCE TO ELECTROMECHANICAL FORCE (SHORT CIRCUIT TESTING)	6.4, 6.4.5, 9.5	CLEATS AT 600MM INTERVALS (WITHSTANDING MORE THAN ONE SHORT CIRCUIT)	150kA (REPORT No. PDL- 16.164.2) CABLE OD= Ø36mm
RESISTANCE TO ELECTROMECHANICAL FORCE (SHORT CIRCUIT TESTING)	6.4, 6.4.5, 9.5	CLEATS AT 7.8M INTERVALS (WITHSTANDING MORE THAN ONE SHORT CIRCUIT)	104kA (REPORT No. ZKU- 12-179) CABLE OD= Ø70mm (WITH PROTECT STRAPS EVERY 1.3m - BASED ON IEC61914:2009)

This data sheet is subject to change without notice. The information provided has been generated in laboratory conditions, as such results in use may vary.