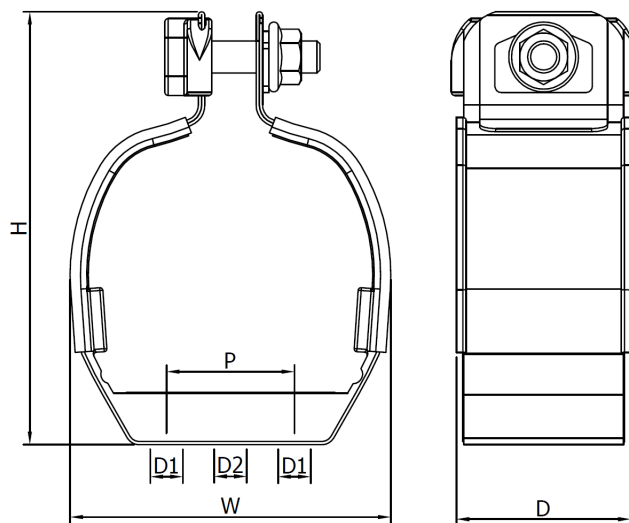


- 316L STAINLESS STEEL FRAME AND FIXINGS
- SOFT LSF POLYMERIC LINER PROTECTS CABLE SHEATH
- CAPTIVE CLOSURE FIXINGS FOR FAST INSTALL
- SHORT CIRCUIT AND MECHANICALLY TESTED TO IEC 61914
- ABS AND DNV TYPE APPROVED AND ALSO UL LISTED

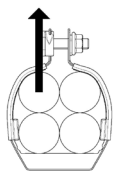


PART NO.	CABLE RANGE		DIMENSIONS (mm)					WEIGHT (g)
	MIN ϕ (mm)	MAX ϕ (mm)	W	H	D	P	FIXING HOLES (D1)	
VRQ+01	23	25	68	110	54	N/A	1 x M10	284
VRQ+02	26	27	70	113	54	N/A	1 x M10	286
VRQ+03	28	31	78	128	54	N/A	1 x M10	318
VRQ+03A	31	35	90	138	54	N/A	1 x M10	350
VRQ+04	35	42	103	148	54	N/A	1 x M10	378
VRQ+05	43	47	120	165	54	N/A	1 x M10	452
VRQ+06	48	50	121	170	54	N/A	1 x M10	467
VRQ+07	51	57	140	190	54	50	3 x M10	486
VRQ+08	58	63	150	200	54	50	3 x M10	499
VRQ+09	64	70	170	218	54	75	3 x M10	581

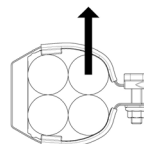
TESTING SUMMARY

Vulcan+ Cleats have been tested in line with the International Standard 'Cable Cleats for Electrical Installations' IEC 61914:2015. Typical results are detailed below, please note that these testing values are maximums and safety factors appropriate to your application should be used:

PROPERTY	CLASSIFICATION CLAUSE IEC 61914	UNITS / CLASSIFICATION	TEST DATA
CLEAT TYPE	6.1.3	COMPOSITE	-
TEMP. FOR PERMANENT APPLICATION	6.2	°C	-40 - 60
UV RESISTANCE	6.5.1.2	XENON ARC METHOD A	PASS
CORROSION RESISTANCE	6.5.2.2	HIGH	316L STAINLESS STEEL HAS \geq 16% CHROMIUM
IMPACT RATING	6.3.4	HEAVY	PASS
FLAME PROPAGATION TEST	10.0, 10.1	APPLICATION TIME \geq 30s	PASS
AXIAL LOAD RATING	6.4.3, 9.4	NEWTONS (N)	100
LATERAL LOAD RATING	6.4.2, 9.3	NEWTONS (N)	HORIZONTAL - 100N VERTICAL - 350N
RESISTANCE TO ELECTROMECHANICAL FORCE (SHORT CIRCUIT TESTING)	6.4, 6.4.5, 9.5	CLEATS AT 300MM INTERVALS (WITHSTANDING MORE THAN ONE SHORT CIRCUIT)	134kA (REPORT No. PDL- 18.122.1) CABLE OD= \varnothing 36mm (VRT+)
RESISTANCE TO ELECTROMECHANICAL FORCE (SHORT CIRCUIT TESTING)	6.4, 6.4.5, 9.5	CLEATS AT 600MM INTERVALS (WITHSTANDING MORE THAN ONE SHORT CIRCUIT)	115kA (REPORT No. PDL- 16.164.3) CABLE OD= \varnothing 36mm (VRT+)



LATERAL LOAD 'VERTICAL' DIRECTION



LATERAL LOAD 'HORIZONTAL DIRECTION'



LONDON UNDERGROUND
Vulcan+ Cable Cleats are compliant
with the requirements of LUL-1085.
Product register number 361.

This data sheet is subject to change without notice. The information provided has been generated in laboratory conditions, as such results in use may vary.