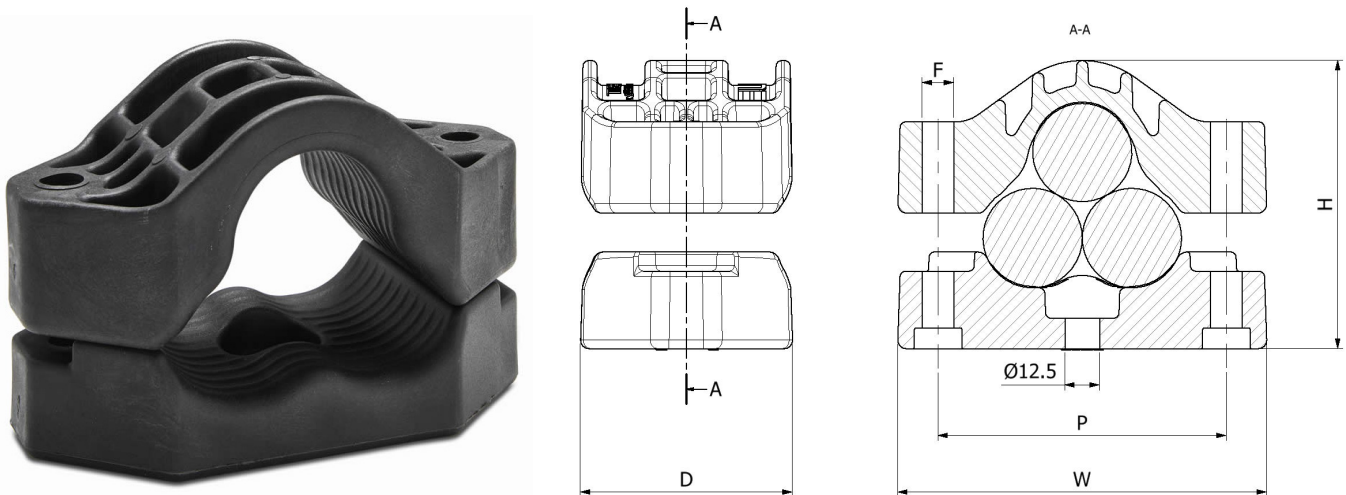


- MANUFACTURED AS STANDARD IN A HIGH STRENGTH LSF GLASS FILLED NYLON
- SINGLE OR TWO BOLT CLEAT FIXING OPTIONS
- SHAPING OF THE CLEAT ENSURES CABLES ARE HELD IN A TREFOIL FORMATION ACROSS THE RANGE
- SHORT CIRCUIT AND MECHANICALLY TESTED TO IEC 61914
- FOR SPECIAL APPLICATIONS TRIDENT CAN BE SUPPLIED IN ALTERNATIVE POLYMERS

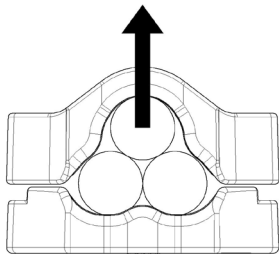


PART NO.	CABLE RANGE		DIMENSIONS (mm)					WEIGHT (g)
	MIN $\phi$ (mm)	MAX $\phi$ (mm)	W	H	D	P	F	
TR24-29	24	29	122	91	77	92.5	M10	360
TR27-32	27	32	126	95	77	98.5	M10	370
TR30-36	30	36	134	104	77	104.5	M10	383
TR34-41	34	41	144	112	77	114.5	M10	485
TR39-47	39	47	156	124	77	125	M12	568
TR45-54	45	54	172	138	77	145	M12	666
TR52-62	52	62	190	153	77	160	M12	793
TR60-72	60	72	215	177	98	182	M12	1100
TR69-83	69	83	238	198	98	205	M12	1300

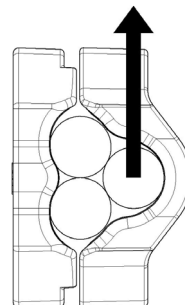
## TESTING SUMMARY

Trident Cleats have been tested in line with the International Standard 'Cable Cleats for Electrical Installations' IEC 61914:2015. Typical results are detailed below, please note that these testing values are maximums and safety factors appropriate to your application should be used:

PROPERTY	CLASSIFICATION CLAUSE IEC 61914	UNITS / CLASSIFICATION	TEST DATA
CLEAT TYPE	6.1.2	NON-METALLIC	-
TEMP. FOR PERMAMENT APPLICATION	6.2	°C	-40 - 60
UV RESISTANCE	6.5.1.2	XENON ARC METHOD A	PASS
CORROSION RESISTANCE	6.5.2	N/A	N/A
IMPACT RATING	6.3.5	VERY HEAVY	PASS
FLAME PROPAGATION TEST	10.0, 10.1	APPLICATION TIME $\geq 30s$	PASS
AXIAL LOAD RATING	6.4.3, 9.4	NEWTONS (N)	1500
LATERAL LOAD RATING	6.4.2, 9.3	NEWTONS (N)	HORIZONTAL - 2250N VERTICAL - 2250N
RESISTANCE TO ELECTROMECHANICAL FORCE (SHORT CIRCUIT TESTING)	6.4, 6.4.5, 9.5	CLEATS AT 300MM INTERVALS (WITHSTANDING MORE THAN ONE SHORT CIRCUIT)	134kA (REPORT No. PDL- 18.071.6)  CABLE OD= $\phi 36mm$
RESISTANCE TO ELECTROMECHANICAL FORCE (SHORT CIRCUIT TESTING)	6.4, 6.4.5, 9.5	CLEATS AT 600MM INTERVALS (WITHSTANDING MORE THAN ONE SHORT CIRCUIT)	94kA (REPORT No. PDL- 18.071.5)  CABLE OD= $\phi 36mm$



LATERAL LOAD 'VERTICAL' DIRECTION



LATERAL LOAD 'HORIZONTAL DIRECTION'

This data sheet is subject to change without notice. The information provided has been generated in laboratory conditions, as such results in use may vary.