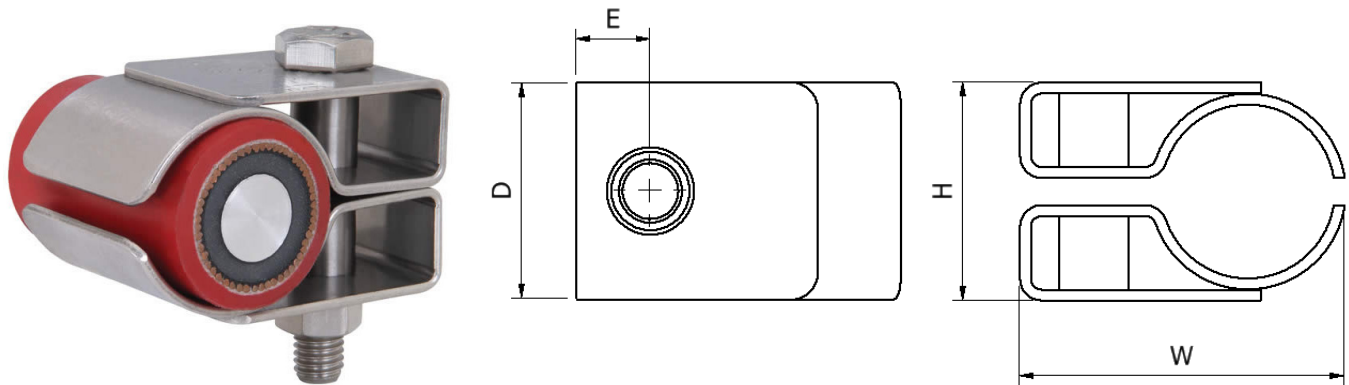


- METALLIC FRAME IS DESIGNED FOR THE INSTALLATION OF FIRE PROTECTION RATED CABLES.
- TESTED FOR FIRE RESISTANCE IN ACCORDANCE WITH BS 5839-1.
- AVAILABLE IN 12 SIZES TO SUIT  $\phi 10$  TO  $\phi 74$ MM CABLE
- SHORT CIRCUIT AND MECHANICALLY TESTED TO IEC 61914
- MARINE GRADE STAINLESS STEEL FRAME ENSURES PERFORMANCE IN THE HARSHTEST OF ENVIRONMENTS.

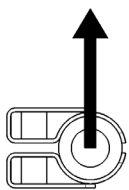


PART NO.	CABLE RANGE		DIMENSIONS (mm)					WEIGHT (g)
	MIN $\phi$ (mm)	MAX $\phi$ (mm)	W	H	D	P	F	
1FP-10SS	10	13	40	21	40	13.7	1 x M10	91
1FP-11SS	13	16	44	24	40	13.7	1 x M10	106
1FP-12SS	16	19	47	27	40	13.7	1 x M10	113
1FP-13SS	19	23	51	31	40	13.7	1 x M10	125
1FP-14SS	23	27	55	35	40	13.7	1 x M10	139
1FP-15SS	27	32	60	40	40	13.7	1 x M10	153
1FP-16SS	32	38	66	46	40	13.7	1 x M10	174
1FP-17SS	38	46	74	54	40	13.7	1 x M10	201
1FP-18SS	46	51	80	59	40	13.7	1 x M10	225
1FP-19SS	51	57	85	64	40	13.7	1 x M10	242
1FP-20SS	57	65	93	73	40	13.7	1 x M10	265
1FP-21SS	65	74	98	82	40	13.7	1 x M10	293

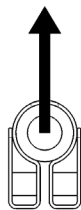
## TESTING SUMMARY

Phoenix Cleats have been tested in line with the International Standard 'Cable Cleats for Electrical Installations' IEC 61914:2015. Typical results are detailed below, please note that these testing values are maximums and safety factors appropriate to your application should be used:

PROPERTY	CLASSIFICATION CLAUSE IEC 61914	UNITS / CLASSIFICATION	TEST DATA
CLEAT TYPE	6.1.1	METALLIC	-
TEMP. FOR PERMAMENT APPLICATION	6.2	°C	-40 - 60
UV RESISTANCE	6.5.1	N/A	-
CORROSION RESISTANCE	6.5.2.2	HIGH	316L STAINLESS STEEL HAS 16% CHROMIUM
IMPACT RATING	6.3.4	HEAVY	PASS
FLAME PROPAGATION TEST	10.0, 10.1	NO CONTRIBUTION TO FIRE	METALLIC
AXIAL LOAD RATING	6.4.3, 9.4	NEWTONS (N)	45
LATERAL LOAD RATING	6.4.2, 9.3	NEWTONS (N)	HORIZONTAL - 350N VERTICAL - 350N
RESISTANCE TO ELECTROMECHANICAL FORCE (SHORT CIRCUIT TESTING)	6.4, 6.4.5, 9.5	CLEATS AT 300MM INTERVALS (WITHSTANDING MORE THAN ONE SHORT CIRCUIT)	31kA (REPORT No. PDL- 17.137.1)  CABLE OD= $\phi$ 36mm Phase Spacing = 100mm



LATERAL LOAD 'VERTICAL'  
DIRECTION



LATERAL LOAD 'HORIZONTAL'  
DIRECTION



Phoenix clips have been fire tested in accordance  
with BS 5839-1: 2017.

### APPROVALS:

**LONDON UNDERGROUND**  
Phoenix Cable Clamps are  
compliant with the requirements  
of LUL-1085. Product register  
number 1661.

This data sheet is subject to change without notice. The information provided has been generated in laboratory conditions, as such results in use may vary.