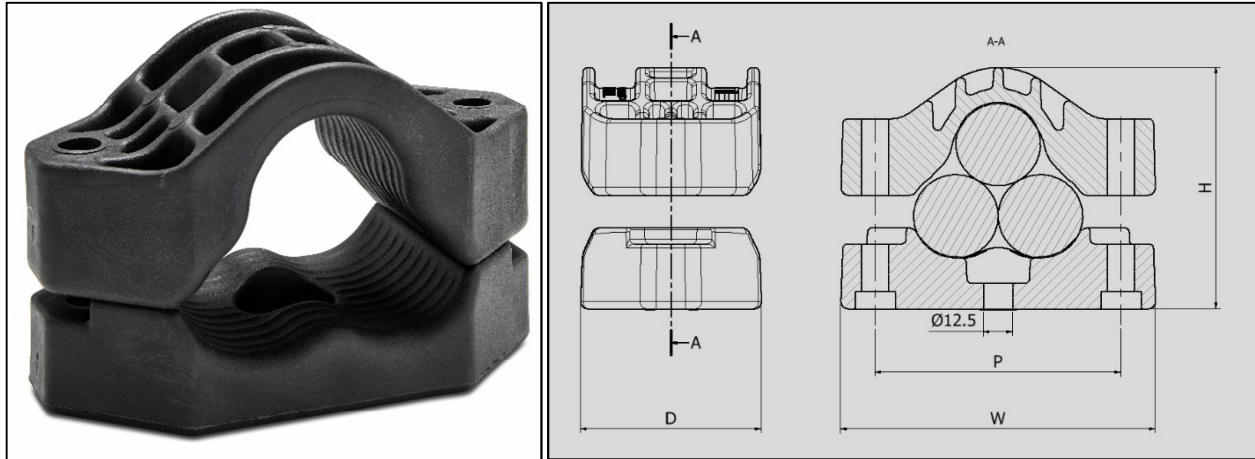


## TRIDENT™ TREFOIL CABLE CLEAT

Trident is a polymeric trefoil cable cleat to suit Ø24 - Ø83mm cables. It is manufactured as standard in high strength V0 0H 30% glass filled nylon and has been short circuit tested in line with the requirements of IEC 61914. For special applications Trident can be supplied in a UV resistant polymer. (Material data sheets are available on request).



### Selection Table for Trident®

Part No.	Cable Ø Range mm	Dimensions				Fixing Hole	Weight g
		W mm	H mm	D mm	P mm		
TR24-29	24-29	122	91	77	92.5	2 x M10 and 1 x M12	360
TR27-32	27-32	126	95	77	98.5	2 x M10 and 1 x M12	370
TR30-36	30-36	134	104	77	104.5	2 x M10 and 1 x M12	383
TR34-41	34-41	144	112	77	114.5	2 x M10 and 1 x M12	485
TR39-47	39-47	156	124	77	126.5	2 x M10 and 1 x M12	568
TR45-54	45-54	172	138	77	142.5	2 x M10 and 1 x M12	666
TR52-62	52-62	190	153	77	160.5	2 x M10 and 1 x M12	793
TR60-72	60-72	215	177	98	182	3 x M12	1100
TR69-83	69-83	238	198	98	205	3 x M12	1300

\* Dimensions have been given with a tolerance, contact Ellis for full technical drawings

### Short Circuit Details

Peak (kA)	Cable OD (mm)	Cleat Spacing (mm)	Standard	Equivalent Mechanical Force (kN)
92.4	Ø37	600	IEC61914 - Cat. 2 Pass	23.5
132	Ø37	300	IEC61914 - Cat. 2 Pass	24