

# ELLIS

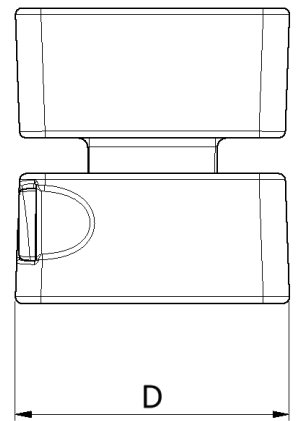
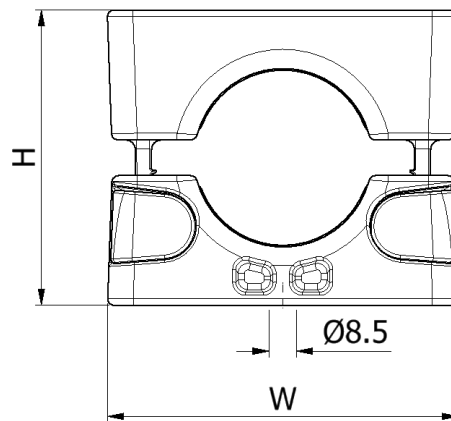
Holding Power

## DATA SHEET

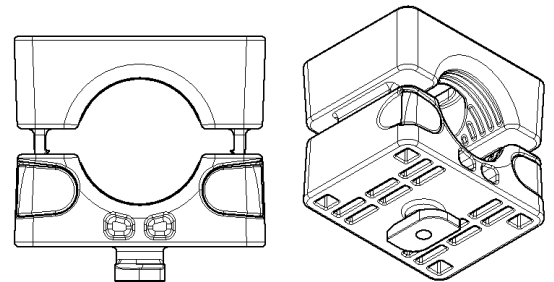
## NO BOLTS CLEAT

PATENT PENDING (APPLICATION NUMBER 1804174.9)

- FULLY POLYMERIC CONSTRUCTION ELIMINATES THE RISK OF SNAGGING CABLE ON FIXING BOLTS
- TOOLLESS DESIGN ALLOWS FOR FAST INSTALLATION
- PRODUCT CAN BE STACKED THREE CLAMPS HIGH USING TWIST FOOT FEATURE
- SHORT CIRCUIT AND MECHANICALLY TESTED TO IEC 61914



PART NO.	CABLE RANGE	DIMENSIONS (mm)			FIXING HOLES	WEIGHT (g)
		W	H	D		
NBC18-22	18 - 22	109	91	90	1 x M8	830
NBC20-26	20 - 26	109	91	90	1 x M8	815
NBC24-30	24 - 30	109	91	90	1 x M8	808
NBC28-34	28 - 34	109	91	90	1 x M8	801
NBC32-39	32 - 39	109	91	90	1 x M8	792
NBC37-47	37 - 47	109	91	90	1 x M8	758
NBC45-55*	45 - 55	109	91	85	1 x M8	675



FOR THE TWIST FOOT VERSION ADD A 'TF' SUFFIX E.G. NBC18-22TF

NOTE: THE CLEAT RANGE IS COVERED BY A SET OF INSERTS THAT SIT INSIDE THE MAIN BODY, THEREFORE ALL OUTSIDE DIMENSIONS ARE THE SAME. \*NBC45-55 DOES NOT USE INSERTS.



PRODUCT CAN BE STACKED A MAXIMUM OF THREE HIGH BY USING THE TWIST FOOT VARIANT. THIS VERSION LOCKS INTO THE RECESS PROVIDED IN THE TOP OF THE CLAMPS.

DUE TO TOLERANCES OF STANDARD UNISTRUT STYLE PROFILE, ELLIS RECOMMEND USING FIXINGS TO FASTEN THE CLAMP TO THE CHANNEL.

ELLIS PATENTS LTD.

[www.ellispatents.co.uk](http://www.ellispatents.co.uk)

ISSUE 01/04/06/19

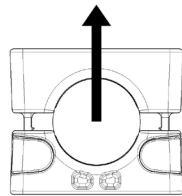
1 / 2

## TESTING SUMMARY

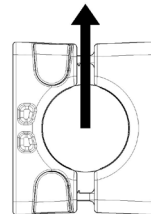
No Bolts Cleat has been tested in line with the International Standard 'Cable Cleats for Electrical Installations' IEC 61914:2015. Typical results are detailed below, please note that these testing values are maximums and safety factors appropriate to your application should be used:

PROPERTY	CLASSIFICATION CLAUSE IEC 61914	UNITS / CLASSIFICATION	TEST DATA
CLEAT TYPE	6.1.2	POLYMERIC	-
TEMP. FOR PERMANENT APPLICATION	6.2	°C	-40 - 60
IMPACT RATING	6.3.5	VERY HEAVY	PASS
FLAME PROPAGATION TEST	10.0, 10.1	APPLICATION TIME $\geq 30s$	PASS
AXIAL LOAD RATING	6.4.3, 9.4	NEWTONS (N)	REFER TO ELLIS
LATERAL LOAD RATING	6.4.2, 9.3	NEWTONS (N)	REFER TO ELLIS
RESISTANCE TO ELECTROMECHANICAL FORCE (SHORT CIRCUIT TESTING)	6.4, 6.4.5, 9.5	CLEATS AT 300MM INTERVALS (WITHSTANDING MORE THAN ONE SHORT CIRCUIT)	101kA (REPORT No. PDL- 16.106)  PHASE SPACING = 110mm CABLE OD= $\varnothing 36mm$
RESISTANCE TO ELECTROMECHANICAL FORCE (SHORT CIRCUIT TESTING)	6.4, 6.4.5, 9.5	CLEATS AT 300MM INTERVALS (WITHSTANDING MORE THAN ONE SHORT CIRCUIT)	71kA (REPORT No. PDL- 16.106)  TESTED IN STACKED FROMATION  PHASE SPACING = 75mm CABLE OD= $\varnothing 36mm$

\*TESTING CARRIED OUT ON NBC45-55 ONLY



LATERAL LOAD 'VERTICAL' DIRECTION



LATERAL LOAD 'HORIZONTAL' DIRECTION'

### APPROVALS:

NO BOLTS CLEAT IS A NETWORK RAIL APPROVED PRODUCT. EXAMPLE PADS NUMBER (NBC45-55): 011/120134

This data sheet is subject to change without notice. The information provided has been generated in laboratory conditions, as such results in use may vary.