

ELLIS

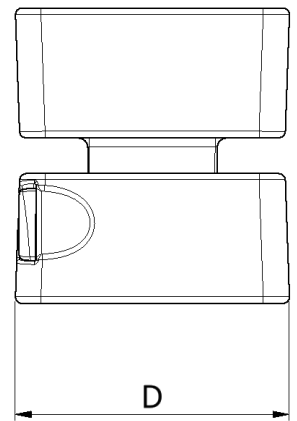
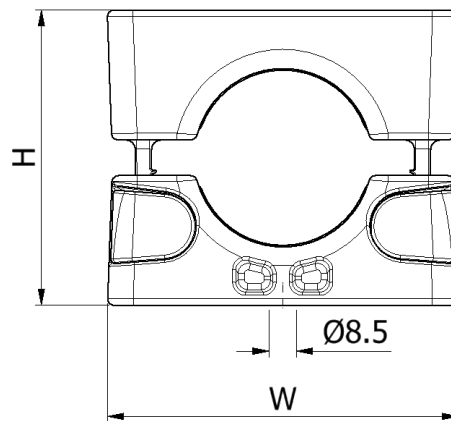
Holding Power

DATA SHEET

NO BOLTS CLEAT

PATENT PENDING (APPLICATION NUMBER 1804174.9)

- FULLY POLYMERIC CONSTRUCTION ELIMINATES THE RISK OF SNAGGING CABLE ON FIXING BOLTS
- TOOLLESS DESIGN ALLOWS FOR FAST INSTALLATION
- PRODUCT CAN BE STACKED THREE CLAMPS HIGH USING TWIST FOOT FEATURE
- SHORT CIRCUIT AND MECHANICALLY TESTED TO IEC 61914



PART NO. WITH- OUT TWIST FOOT	PART NO. WITH TWIST FOOT	Network Rail PADS#	CABLE RANGE	DIMENSIONS (mm)			FIXING HOLES	
				W	H	D		
NBC18-22	NBC18-22TF	0111/120321	18 - 22	109	91	90	1 x M8	830
NBC20-26	NBC20-26TF	0111/120322	20 - 26	109	91	90	1 x M8	815
NBC24-30	NBC24-30TF	0111/120323	24 - 30	109	91	90	1 x M8	808
NBC28-34	NBC28-34TF	0111/120324	28 - 34	109	91	90	1 x M8	801
NBC32-39	NBC32-39TF	0111/120325	32 - 39	109	91	90	1 x M8	792
NBC37-47	NBC37-47TF	0111/120133	37 - 47	109	91	90	1 x M8	758
NBC45-55*	NBC45-55TF*	0111/120134	45 - 55	109	91	85	1 x M8	675

NOTE: THE CLEAT RANGE IS COVERED BY A SET OF INSERTS THAT SIT INSIDE THE MAIN BODY, THEREFORE ALL OUTSIDE DIMENSIONS ARE THE SAME. *NBC45-55 DOES NOT USE INSERTS.

THE PRODUCT IS REGISTERED WITH NETWORK RAIL PADS SYSTEM AS AN UNCONTROLLED ITEM, AS SUCH IT IS NOT SEARCHABLE ON PADS. PADS NUMBERS ARE FOR THE TWIST FOOT VERSION OF THE PRODUCT.



PRODUCT CAN BE STACKED A MAXIMUM OF THREE HIGH BY USING THE TWIST FOOT VARIANT. THIS VERSION LOCKS INTO THE RECESS PROVIDED IN THE TOP OF THE CLAMPS.

DUE TO TOLERANCES OF STANDARD UNISTRUT STYLE PROFILE, ELLIS RECOMMEND USING FIXINGS TO FASTEN THE CLAMP TO THE CHANNEL.

ELLIS PATENTS LTD.

www.ellispatents.co.uk

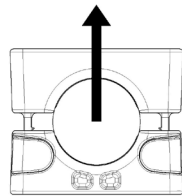
ISSUE 03 27/08/21

1 / 2

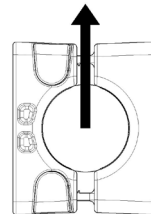
TESTING SUMMARY

No Bolts Cleat has been tested in line with the International Standard 'Cable Cleats for Electrical Installations' IEC 61914:2015. Typical results are detailed below, please note that these testing values are maximums and safety factors appropriate to your application should be used:

PROPERTY	CLASSIFICATION CLAUSE IEC 61914	UNITS / CLASSIFICATION	TEST DATA
CLEAT TYPE	6.1.2	POLYMERIC	-
TEMP. FOR PERMANENT APPLICATION	6.2	°C	-40 - 60
IMPACT RATING	6.3.5	VERY HEAVY	PASS
FLAME PROPAGATION TEST	10.0, 10.1	APPLICATION TIME $\geq 30s$	PASS
AXIAL LOAD RATING	6.4.3, 9.4	NEWTONS (N)	REFER TO ELLIS
LATERAL LOAD RATING	6.4.2, 9.3	NEWTONS (N)	REFER TO ELLIS
RESISTANCE TO ELECTROMECHANICAL FORCE (SHORT CIRCUIT TESTING)	6.4, 6.4.5, 9.5	CLEATS AT 300MM INTERVALS (WITHSTANDING MORE THAN ONE SHORT CIRCUIT)	101kA (REPORT No. PDL- 16.016) PHASE SPACING = 110mm CABLE OD= $\varnothing 36mm$
RESISTANCE TO ELECTROMECHANICAL FORCE (SHORT CIRCUIT TESTING)	6.4, 6.4.5, 9.5	CLEATS AT 300MM INTERVALS (WITHSTANDING MORE THAN ONE SHORT CIRCUIT)	71kA (REPORT No. PDL- 16.016) TESTED IN STACKED FROMATION PHASE SPACING = 75mm CABLE OD= $\varnothing 36mm$



LATERAL LOAD 'VERTICAL' DIRECTION



LATERAL LOAD 'HORIZONTAL' DIRECTION'

This data sheet is subject to change without notice. The information provided has been generated in laboratory conditions, as such results in use may vary.