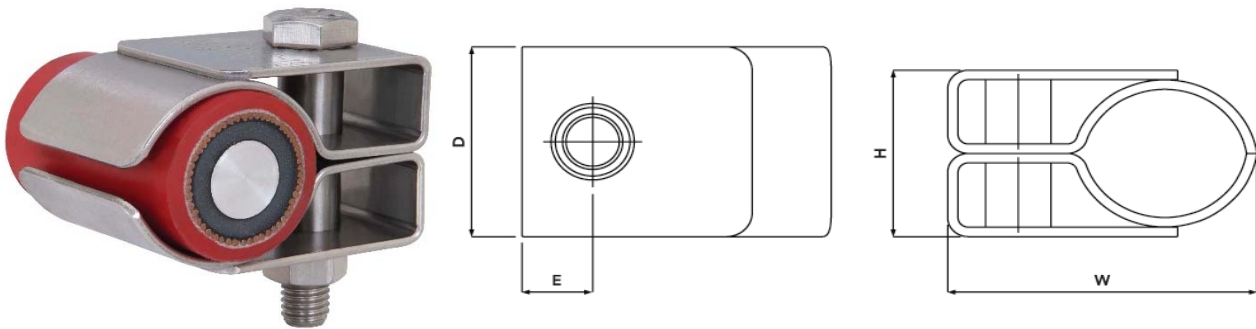




## PHOENIX<sup>®</sup>

Fire Rated Cable Clamps  
Community Design Reg No. 000355854-0002

- 316L stainless steel frame is specifically designed for the installation of fire protection rated cables.
- Tested for fire resistance in accordance with BS 5839-1:2002.
- Available in 12 sizes to suit Ø10mm to Ø74mm cable.
- Marine grade stainless steel frame ensures performance in the harshest of environments.
- Short-circuit and mechanical tested to IEC61914 (see overleaf for summary).
- Cleat is not supplied with fixings as standard but can be supplied with fixing kits on request.
- Material data sheets and test reports available on request.



| Part No. | Cable Range    |                | Dimensions |         |         |         |              | Weight<br>g |
|----------|----------------|----------------|------------|---------|---------|---------|--------------|-------------|
|          | Min Dia.<br>mm | Max Dia.<br>mm | W<br>mm    | H<br>mm | D<br>mm | E<br>mm | Fixing Holes |             |
| 1FP-10SS | 10             | 13             | 40         | 21      | 40      | 13.7    | 1 x M10      | 91          |
| 1FP-11SS | 13             | 16             | 44         | 24      | 40      | 13.7    | 1 x M10      | 106         |
| 1FP-12SS | 16             | 19             | 47         | 27      | 40      | 13.7    | 1 x M10      | 114         |
| 1FP-13SS | 19             | 23             | 51         | 31      | 40      | 13.7    | 1 x M10      | 126         |
| 1FP-14SS | 23             | 27             | 55         | 35      | 40      | 13.7    | 1 x M10      | 140         |
| 1FP-15SS | 27             | 32             | 60         | 40      | 40      | 13.7    | 1 x M10      | 155         |
| 1FP-16SS | 32             | 38             | 66         | 46      | 40      | 13.7    | 1 x M10      | 176         |
| 1FP-17SS | 38             | 46             | 74         | 54      | 40      | 13.7    | 1 x M10      | 202         |
| 1FP-18SS | 46             | 51             | 80         | 59      | 40      | 13.7    | 1 x M10      | 225         |
| 1FP-19SS | 51             | 57             | 85         | 64      | 40      | 13.7    | 1 x M10      | 245         |
| 1FP-20SS | 57             | 65             | 93         | 73      | 40      | 13.7    | 1 x M10      | 265         |
| 1FP-21SS | 65             | 74             | 98         | 82      | 40      | 13.7    | 1 x M10      | 293         |



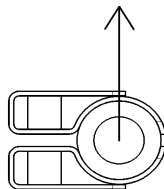


## TESTING SUMMARY

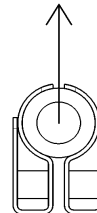
Phoenix Clamps have been tested in line with the International Standard of 'Cable Cleats for Electrical Installations' IEC 61914:2015. The results are detailed below, please note that these testing values are maximums and safety factors appropriate to your application should be used:

| Property   | IEC 61914 Classification Clause | Units / Classification   | Test Data   |
|--|---------------------------------|--|---|
| Cleat Type   | 6.1, 6.1.1                      | Metallic   | -   |
| Temperature for Permanent Application                                      | 6.2                             | °C   | -40 to 120  |
| UV Resistance  | 6.5.1.2                         | UV Resistant   | Metallic Cleat  |
| Corrosion Resistance   | 11.2.1, 11.2.2                  | High   | 316L stainless steel has ≥16% chromium.                     |
| Impact Resistance  | 6.3, 6.3.5, 9.2                 | Heavy (1.7kg @ 300mm)  | Pass  |
| Needle Flame Test  | 10.0, 10.3                      | No contribution to fire  | Metallic Cleat  |
| Axial Load Test  | 9.4                             | Newtons (N)  | 50  |
| Lateral Load Test  | 9.3                             | Newtons (N)  | Horizontal - 400N<br>Vertical - 400N                        |
| Resistance to Electromechanical Force (undertaken at Damstra Laboratories) | 6.4, 6.4.3, 9.5                 | Cleats @ 300mm centres - Single spaced cables (withstanding more than one circuit)       | 31kA<br>(Report No. PDL-17.137.1)<br>Force per cleat = 500N |
| Resistance to Electromechanical Force (undertaken at Damstra Laboratories) | 6.4, 6.4.3, 9.5                 | Cleats @ 600mm centres M10 - Multicore cables (withstanding more than one short circuit) | 60kA<br>(Report No. PDL08.074.1)                            |
| Cleat Loop Stength   | N/A                             | Netwons (N)  | 500   |

NOTES:



Lateral load 'Vertical' orientation



Lateral load 'Horizontal' orientation

### APPROVALS:

#### LONDON UNDERGROUND

Phoenix Cable Clamps are compliant with the requirements of London Underground Standard 1-085. Product Register No. 1661

Issue 07 14/11/17

Ellis Patents Ltd.

High Street, Rillington, Malton,  
North Yorkshire YO17 8LA  
United Kingdom

