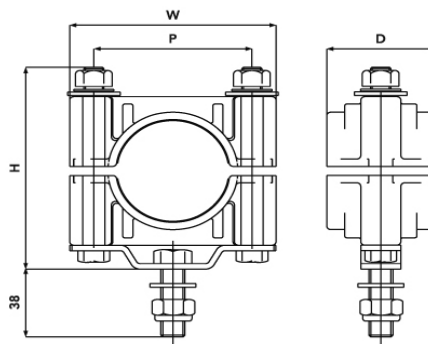


Heavy Duty Single Bolt Fixing Clamp Data Sheet

Manufactured as standard in black polypropylene (B) or black flame retardant V0 phosphorus free Nylon (LSF). Supplied together with a yellow zinc passivated mild steel support bracket that enables larger cables to be fixed with one inclusive single 12mm bolt. Used to fix power cables in indoor and outdoor applications.



Part No	Material Suffix	Cable Dia. Range mm	Dimensions				Central Fixing Bolt	Weight g	
			W mm	H mm	D mm	P mm		B	LSF
2FAS-08	B or LSF	46-51	103.0	110.0	54.0	79.0	M12	353.9	382.9
2FAS-09	B or LSF	51-57	103.0	110.0	54.0	79.0	M12	368.0	392.0
2FAS-10	B or LSF	57-64	103.0	110.0	54.0	79.0	M12	362.1	395.5
2FAS-11	B or LSF	64-70	103.0	143.0	54.0	106.0	M12	433.0	474.3
2FAS-1200	B or LSF	70-76	103.0	143.0	54.0	106.0	M12	441.0	484.3
2FAS-1201	B or LSF	76-83	103.0	143.0	54.0	106.0	M12	443.0	487.0
2FAS-1202	B or LSF	83-90	103.0	143.0	54.0	106.0	M12	445.0	489.0