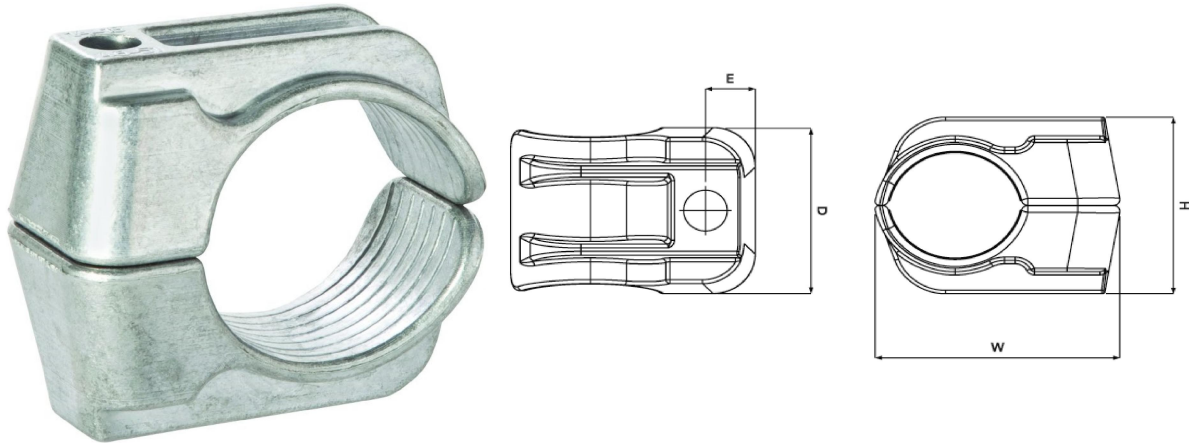


One Hole Aluminium Cableclamp (1A) Data Sheet

Manufactured as standard in plain LM6 aluminium to BS 1490. Used to fix power cables in dry industrial or outdoor unpolluted applications. The product can be epoxy coated for use in harsh environments, such as sea air conditions.



Selection Table for One Hole Aluminium Cable Clamps

Part No	Cable Dia. Range mm	Dimensions				Fixing Hole	Pack Qty.	Weight g
		W mm	H mm	D mm	E mm			
1A-10N	10-13	37.8	27.0	41.4	10.2	1 x M10	1	43
1A-11N	13-16	41.2	30.0	41.4	10.4	1 x M10	1	52
1A-12N	16-19	44.3	33.0	41.4	10.7	1 x M10	1	61
1A-13N	19-23	48.2	36.0	41.4	10.9	1 x M10	1	68
1A-14N	23-27	52.2	40.0	41.4	11.3	1 x M10	1	78
1A-15N	27-32	57.1	44.0	41.4	11.6	1 x M10	1	85
1A-16N	32-38	63.1	49.0	41.4	12.1	1 x M10	1	97
1A-17N	38-46	71.3	58.0	41.4	12.9	1 x M10	1	121
1A-18N	46-51	77.3	67.0	41.4	13.5	1 x M10	1	155
1A-19N	51-57	83.2	72.0	41.4	13.9	1 x M10	1	171

Testing Information

One Hole Cable Clamps have been tested in line with the International Standard of "Cable Cleats for Electrical Installations" IEC 61914:2009. Typical results below.

Properties	BS EN 61914:2009 Classification Clause	Units / Classification	Test Data
Cleat Type	6.1.1	Metallic	-
Impact Resistance	6.3.5, 9.2	Very Heavy Classification (>6.7kg @ 300mm)	Pass
Resistance to Electro Mechanical Force	6.4, 6.4.4, 6.4.5, 9.5.3	kA @ 100mm phase spacing for flat spaced single core cable (600mm cleat spacing)	70 (Report No. PDL - 15.025.2)
Temperature for Permanent Application	6.2	°C	-40 to 120
Needle Flame Test	10.0, 10.1	Application Time (seconds)	>120
Lateral Load Test	9.3	Newtons (N)	4000
Axial Movement Test	9.4	Newtons (N)	300