

## Cable Guide Clamp Data Sheet

Cable Guide Clamp is a unique combination of a cable guide and cable clamp designed to accommodate large diameter cables. Cable Guide Clamp consists of a strong glass filled nylon (V0) flared guide and an LSF polymeric pad insert (MDS01 Data Sheet)\* that allows the cable to be clamped once in position. The base brackets and fixings are manufactured from galvanised mild steel. The assembly is tightened and locked using a combination of M12 bolts with flange nuts and it can pivot about an M16 bolt joining the two base brackets. The whole assembly can be fixed down through a central M16 fixing hole provided on the bottom bracket.

\* Material Data Sheet MDS01 is available upon request.

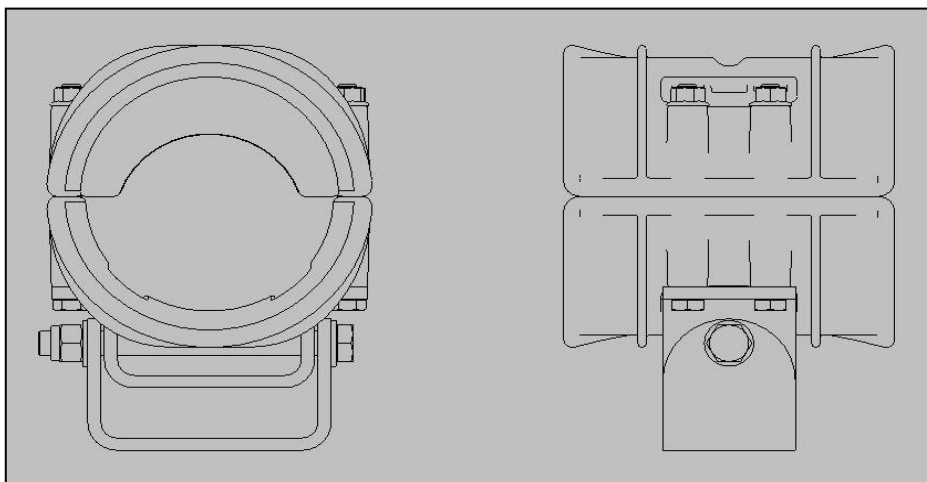
\* Technical drawings available on request.

\* Visit the Ellis website to watch an animation detailing the functions of the clamp.

### Cable Guide Clamp



Part No.	Ø Range (mm)
CGC100-112-G	100 - 112
CGC110-122-G	110 - 122
CGC120-135-G	120 - 135
CGC130-145-G	130 - 145
CGC140-160-G	140 - 160
CGC150-170-G	150 - 170



## Testing Information

Cable Guide Clamps (with pad insert) have been tested in line with the International Standard of 'Cable Cleats for Electrical Installations' IEC 61914:2009. Typical results are detailed below:

Properties	IEC 61914:2009 Classification Clause	Units / Classification	Cable Guide Clamp Test Data
Cleat Type	6.1, 6.1.3	Composite	-
Impact Resistance	6.3, 6.3.5, 9.2	Very Heavy Classification (5kg @ 400mm)	Pass
Resistance to Electromechanical Force <i>(undertaken at Damstra Laboratories NL)</i>	6.4, 6.4.3, 9.5	kA @ 1000mm centres with 200mm phase spacing	114 Peak <i>(Report No. PDL-15.025.1)</i>
Temperature for Permanent Application	6.2	°C	-40 to 60
Needle Flame Test	10.0, 10.1	Application Time (seconds)	>60
Lateral Load Test	9.3	Newtons (N)	10000
Axial Movement Test	9.4	Newtons (N)	Refer to Ellis Patents for further details.