

# PEGASUS<sup>®</sup>

Modular Cable Hanger System  
Patent No. 1507738.1



## NON-METALLIC MODULAR CABLE HANGER SYSTEM

The hanger material is a high strength nylon especially formulated to meet the requirements of the London Underground 1-085 specification. Independent testing is carried out to prove conformance to the standard including toxicity, limited oxygen and smoke emission.

The extruded aluminium spine is marine grade and its specially shaped profile has been designed to offer high strength and rigidity.

Resistance to 'self-corrosion' and 'bi-metallic corrosion' are considered in the design and the non-metallic nature of the materials ensures that corrosion would not occur even in the harshest of environments.

**Safe working load per hanger ranges from 25kg - 60kg.**

**Fully modular assembly for new build projects.**

**Special designs for specific applications can be supplied.**

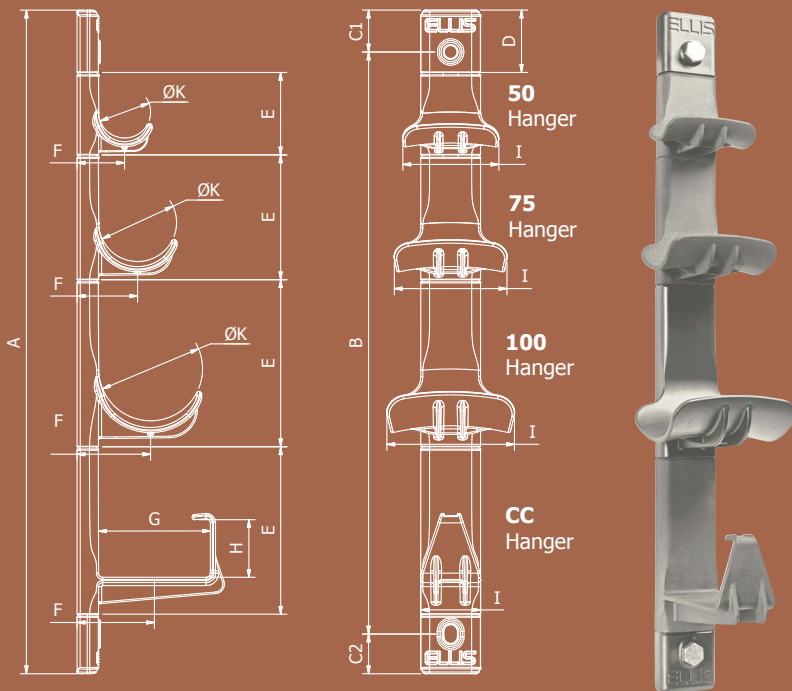
**Up to 50% lighter than a galvanised steel equivalent.**

Hanger	SWL kg
100	60
75	45
50	45
CC	25

# PEGASUS

Part No.	Ways	Dimensions (mm)											Fixing Holes Diameter	Pack Qty.	Modular Weight L	Weight kg	SWL kg
		A	B	C1	C2	D	E	F	G	H	I	K					
PG050-1	1	197	121	40	38	60	-	46	-	-	92	Ø50	M12	1	0.16	0.3	45
PG050-2	2	276	200	40	38	60	79	46	-	-	92	Ø50	M12	1	0.16	0.46	90
PG050-3	3	355	279	40	38	60	79	46	-	-	92	Ø50	M12	1	0.16	0.62	135
PG050-4	4	434	358	40	38	60	79	46	-	-	92	Ø50	M12	1	0.16	0.78	180
PG050-5	5	513	437	40	38	60	79	46	-	-	92	Ø50	M12	1	0.16	0.94	225
PG050-6	6	592	516	40	38	60	79	46	-	-	92	Ø50	M12	1	0.16	1.1	270
PG075-1	1	237	161	40	38	60	-	58	-	-	108	Ø75	M12	1	0.25	0.39	45
PG075-2	2	357	281	40	38	60	120	58	-	-	108	Ø75	M12	1	0.25	0.64	90
PG075-3	3	476	400	40	38	60	120	58	-	-	108	Ø75	M12	1	0.25	0.89	135
PG075-4	4	595	519	40	38	60	120	58	-	-	108	Ø75	M12	1	0.25	1.14	180
PG075-5	5	714	638	40	38	60	120	58	-	-	108	Ø75	M12	1	0.25	1.39	225
PG075-6	6	834	758	40	38	60	120	58	-	-	108	Ø75	M12	1	0.25	1.64	270
PG100-1	1	279	203	40	38	60	-	71	-	-	122	Ø100	M12	1	0.41	0.55	60
PG100-2	2	440	364	40	38	60	161	71	-	-	122	Ø100	M12	1	0.41	0.96	120
PG100-3	3	600	524	40	38	60	161	71	-	-	122	Ø100	M12	1	0.41	1.37	180
PG100-4	4	760	684	40	38	60	161	71	-	-	122	Ø100	M12	1	0.41	1.78	240
PG100-5	5	921	845	40	38	60	161	71	-	-	122	Ø100	M12	1	0.41	2.19	300
PG100-6	6	1085	1009	40	38	60	161	71	-	-	122	Ø100	M12	1	0.41	2.6	360
PGCC-1	1	279	203	40	38	60	-	74	107	55	57	-	M12	1	0.31	0.45	25
PGCC-2	2	440	364	40	38	60	161	74	107	55	57	-	M12	1	0.31	0.76	50
PGCC-3	3	600	524	40	38	60	161	74	107	55	57	-	M12	1	0.31	1.07	75
PGCC-4	4	760	684	40	38	60	161	74	107	55	57	-	M12	1	0.31	1.38	100
PGCC-5	5	921	845	40	38	60	161	74	107	55	57	-	M12	1	0.31	1.69	125
PGCC-6	6	1085	1009	40	38	60	161	74	107	55	57	-	M12	1	0.31	2	150

All dimensions given have been done so with a generous tolerance, for more precise values please contact Ellis for a technical drawing.



## PEGASUS IS A MODULAR SYSTEM AND CAN BE SUPPLIED IN ANY CONFIGURATION

PART NUMBERS FOR SPECIAL CONFIGURATIONS CAN  
BE WORKED OUT AS FOLLOWS:

Example: Part Number for product shown would be:  
PG 50-1/75-1/100-1/CC-1

PG defines the product as Pegasus

The size and number of hangers is then listed as shown,  
starting from the top

Any number of hangers can be specified in any order

FOR DIMENSIONS ON SPECIAL CONFIGURATIONS PLEASE  
CONTACT ELLIS FOR TECHNICAL DRAWINGS.