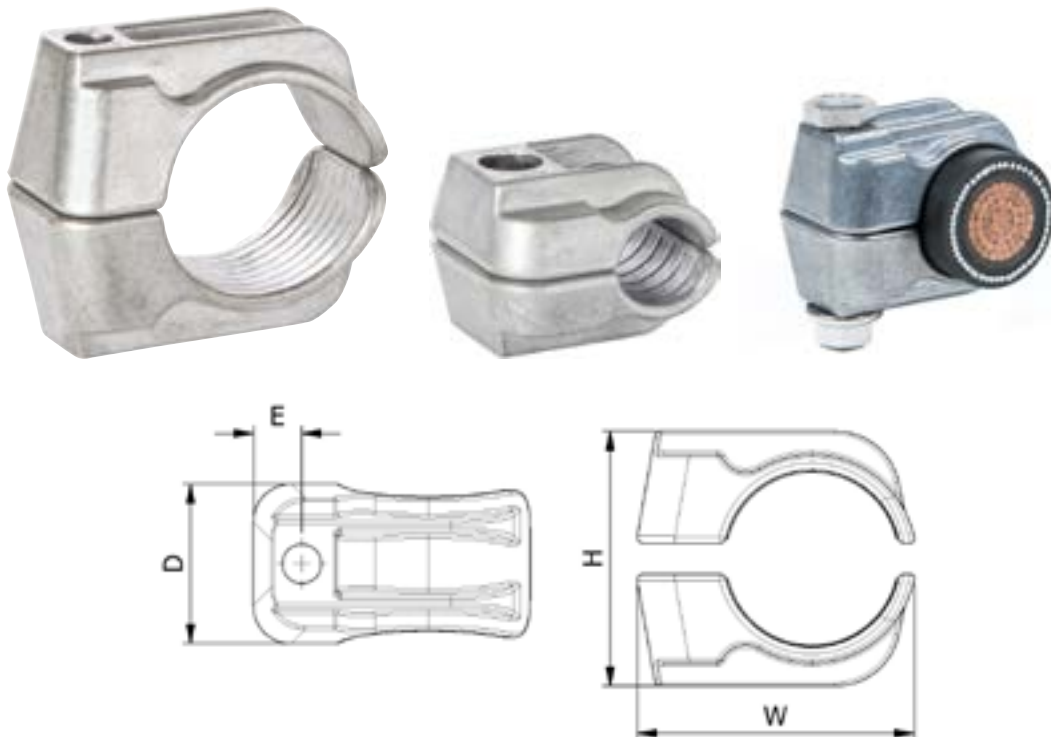


- 1 HOLE CLAMP CAST IN LM6 ALUMINIUM
- ACCOMODATES ϕ 10MM - ϕ 57MM CABLES ACROSS 10 SIZES
- SHORT CIRCUIT AND MECHANICALLY TESTED TO IEC 61914
- FIXINGS ARE NOT SUPPLIED AS STANDARD BUT CAN BE MADE AVAILABLE ON REQUEST
- UL LISTED



PART NO.	CABLE RANGE (mm)		DIMENSIONS (mm)				FIXING HOLES	WEIGHT (g)
	MIN	MAX	W	H	D	E		
1A-10N	10	13	37.8	27-30	41.4	10.2	1 x M10	43
1A-11N	13	16	41.2	30-33	41.4	10.4	1 x M10	52
1A-12N	16	19	44.3	33-36	41.4	10.7	1 x M10	61
1A-13N	19	23	48.2	36-40	41.4	10.9	1 x M10	68
1A-14N	23	27	52.2	40-44	41.4	11.3	1 x M10	78
1A-15N	27	32	57.1	44-49	41.4	11.6	1 x M10	85
1A-16N	32	38	63.1	49-55	41.4	12.1	1 x M10	97
1A-17N	38	46	71.3	58-66	41.4	12.9	1 x M10	121
1A-18N	46	51	77.3	67-73	41.4	13.5	1 x M10	155
1A-19N	51	57	83.2	72-78	41.4	13.9	1 x M10	171

TESTING SUMMARY

1A Clamps have been tested in line with the International Standard 'Cable Cleats for Electrical Installations' IEC 61914:2021. Typical results are detailed below, please note that these testing values are maximums and safety factors appropriate to your application should be used:

PROPERTY	CLASSIFICATION CLAUSE IEC 61914	UNITS / CLASSIFICATION	TEST DATA
CLEAT TYPE	6.1.2	METALLIC	-
TEMP. FOR PERMANENT APPLICATION	6.2	°C	-40 - 90
CORROSION RESISTANCE	6.5.2	HIGH	ALUMINIUM IS NON-FERROUS
IMPACT RATING	6.3.5	VERY HEAVY	PASS
FLAME PROPAGATION TEST	10.0, 10.1	APPLICATION TIME $\geq 30s$	N/A
AXIAL LOAD RATING	6.4.3, 9.4	NEWTONS (N)	REFER TO ELLIS
LATERAL LOAD RATING	6.4.2, 9.3	NEWTONS (N)	REFER TO ELLIS
RESISTANCE TO ELECTROMECHANICAL FORCE (SHORT CIRCUIT TESTING)	6.4, 6.4.5, 9.5	CLEATS AT 600MM INTERVALS (WITHSTANDING MORE THAN ONE SHORT CIRCUIT)	70.8kA (REPORT No. PDL-15.025.2) (IEC 61914:2009) PHASE SPACING = 100mm CABLE OD= $\varnothing 39mm$



LATERAL LOAD 'VERTICAL' DIRECTION



LATERAL LOAD 'HORIZONTAL DIRECTION'



This data sheet is subject to change without notice. The information provided has been generated in laboratory conditions, as such results in use may vary.