

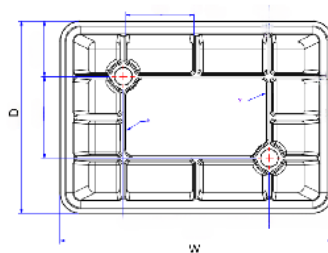
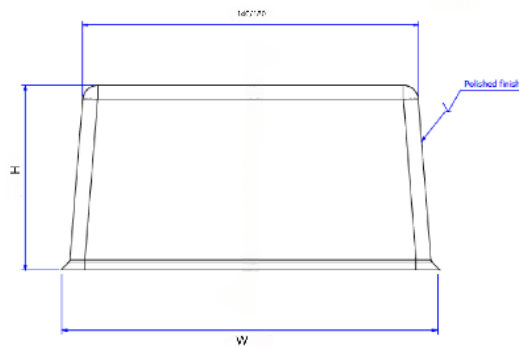
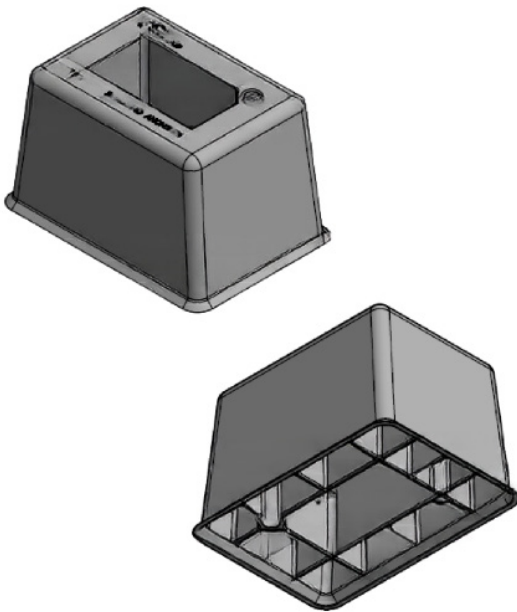
ELLIS

Holding Power

DATA SHEET

VOID FORMERS

- AVAILABLE TO SUITE TWO STAND OR FOUR STAND ANCHORS
- DESIGNED AND MANUFACTURED IN THE UK
- CAN BE BRANDED WITH YOUR LOGO
- MANUFACTURED FROM RECYCLED POLYPROPYLENE



PART NO.	STRANDS	DIMENSIONS			WEIGHT (g)
		W	H	D	
VF-01-25-B	2	170	100	120	351
VF-01-45-B	4	205	100	130	420