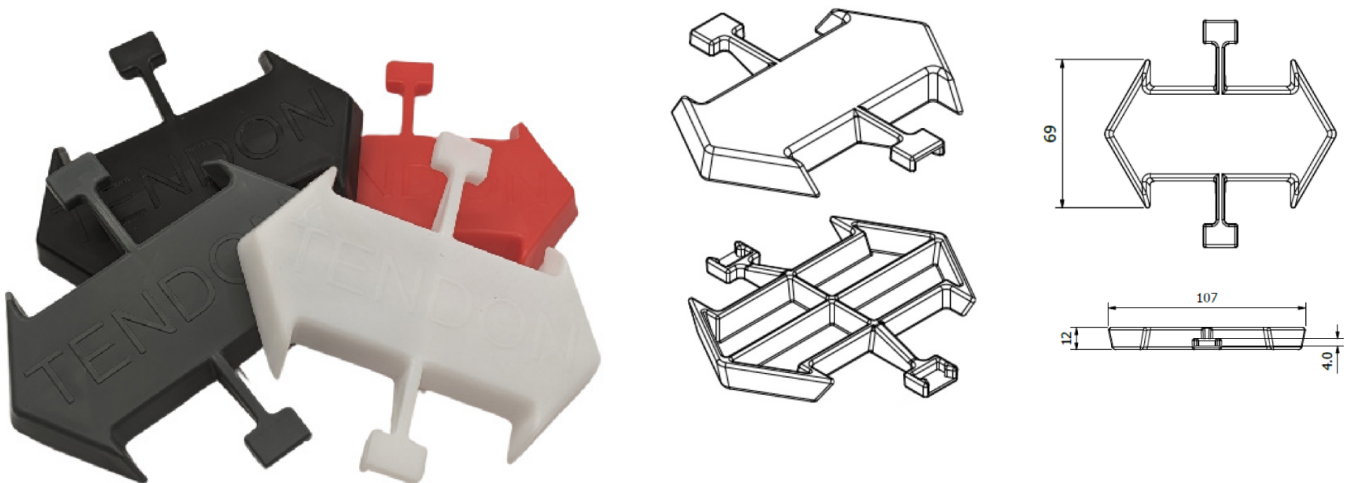
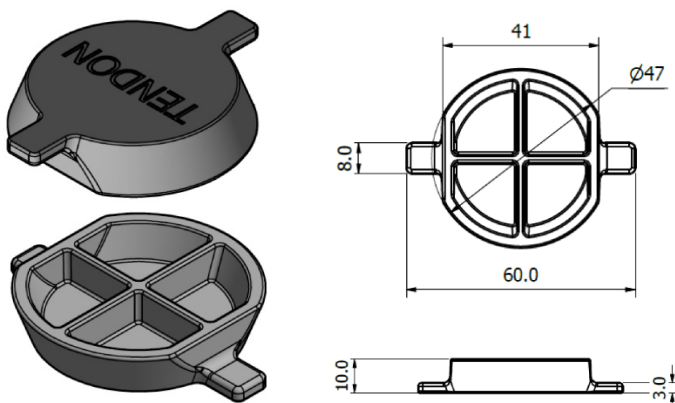


- USED WITH DUCT CHAIRS TO INDICATE TENDON LOCATION.
- LANCE VERSION CLIPS ONTO THE BASE OF THE DUCT CHAIR.
- AVAILABLE IN A RANGE OF COLOURS.
- LARGE OR SMALL VERSIONS AVAILABLE
- MANUFACTURED FROM POLYPROPYLENE
- LARGE VERSION WORKS WITH ELLIS DUCT CHAIRS UPTO (NOT INCLUDING) 240MM HIGH
- DESIGNED AND MANUFACTURED IN THE UK

LARGE STRAND MARKER



SMALL ROUND STRAND MARKER



PART NO.	SIZE	COLOUR
DCTM01-YW	LARGE	YELLOW
DCTM01-BL	LARGE	BLUE
DCTM01-GN	LARGE	GREEN
DCTM01-RD	LARGE	RED
DCTM02-YW	SMALL	YELLOW
DCTM02-BL	SMALL	BLUE
DCTM02-GN	SMALL	GREEN
DCTM02-RD	SMALL	RED